

PIX - PowerWare®

DUAL-DUTY TAPER PULLEYS & BUSHES



www.pixtrans.com

Index

Particulars	Page No.
Profile	1
PIX-PowerWare®	2
About Pulleys dual-duty taper pulleys & bush	2
Pulleys, bush & pulleys + bush assembly codification methodology	2
Features & benefits of PIX-PowerWare® Pulleys	3
Advantages of PIX Bushes	3
Minimum recommended pulley diameter	3
PIX Pulleys types & range	4-30
V-Belt Pulleys with Pilot Bore	30
Poly-V & Timing Pulleys	30
PIX Bush dimensions	31
Metric bores, keyways, keys & screws	32-33
Installation procedure for taper bush pulleys	34
Service equipment	34-35
Pulley maintenance tips	36

Profile

PIX Transmissions Limited is the leading manufacturer of Belts and related mechanical transmissions products in India. The Company has state-of-the-art Belt manufacturing units as well as a completely automated Rubber Mixing facility in Nagpur.

PIX Transmissions Limited is a public limited company listed on Bombay Stock Exchange (BSE:PIXTRANS.BO), the company enjoys significant brand equity in the Power Transmissions industry, with a strong local as well global presence. The company has overseas subsidiary operations in Europe and Middle-East, in addition to over 250 committed Channel Partners in over 50 countries worldwide.

PIX manufacture an extensive range of Industrial V-Belts, Automotive Belts, Agricultural Belts, Horticultural Belts, wide range of Special Construction Belts, Pulleys and bushes to suit a wide array of applications.

The product range in V-Belt includes,

- X'set Wrapped Construction V-Belts
- X'tra Raw-Edge Cogged V-Belts
- X'ceed Ribbed / Poly V-Belts
- X'act Synchronous / Timing Belts & application specific,
- Variable Speed Belts, Banded Belts in Wrapped and Raw Edge construction to suite industrial and agricultural applications.
- Other special construction belts such as PIX-Duo-XR (Double-Cogged), PIX-Duo-XC (Double Ribbed), PIX-Duo-XT (Double-Timing), Flour-mill, Textura, PIX-Duo-XS (Hexagonal), Ceramica, Extractor & Echelon Belts.
- The range is sensitized to application-specific demands and includes a variety of constructions based on the polymer, tensile member, and cover/cushion/base compounds.

PIX have been on the forefront of development and innovation. The culmination of continual investment, rich and diverse experience, technology, state of the art facilities which include a design centre, fabrication workshop, and elaborate testing facilities has positioned PIX as a highly-prolific manufacturer.

The fully-computerized Mixing plant as well as its ultra-modern production facility reflects favourably on the company's emphasis on automation as well as Quality. It is this facet that allows the company to offer a compelling performance to price ratio to its customers.

Keeping its overseas customers in mind, PIX has backed its products by building an impressive support infrastructure in several key markets across the globe including UK, Germany, and UAE. These locations are equipped to provide technical, commercial and stock support. PIX are perhaps the only Indian company in its Industry to feature this high level of infrastructure.

The key strength of PIX is its growing network of independent, committed, and loyal Channel partners in India and over 50 countries worldwide. Relationships based on performance and trust have been the hallmark of PIX' strength in this arena. PIX are also proud to count some of the Market leaders in key application verticals among its many OEM customers.

PIX pride themselves on achieving highly prestigious Quality System and Product approvals as well as recognition from various esteemed Global Certifying authorities.

- ISO/TS 16949:2009, ISO 14001 & OHSAS 18001
- ATEX certification from Germany, for its entire range of fire-resistant antistatic belts.
- Special award for 'Outstanding Export Performance' given by Export Promotion Council, Government of India, consistently for last several years.
- Prestigious 'Niryat Shree' award for achieving outstanding performance in the export of its products.

PIX is known as a company which helps to foster a culture of good Corporate governance, keeping high the interests of its customers, employees, investors and stakeholders, by following best practices, processes and ethics towards achieving stability and growth. PIX is also acutely aware of its Corporate Social Responsibility and has implemented several initiatives to ensure safe, ethical and environmentally-friendly practices.

PIX-PowerWare® (Dual-Duty Taper Bush Pulleys and Bushes)

PIX have always been the innovators and pioneers in the mechanical power transmission and related products. Innovations, up-gradation and providing value-added products have been the 'mantra' we are committed to.

Introduction of PIX-PowerWare® Pulleys and Bushes have been a step ahead in providing a complete power transmission solution to the users. We have plans to further expand the PowerWare range by introducing a wide range related mechanical power transmission products, which are essential or plays an important role in the mechanical power transmission process.

The introduction of Pulleys in the product range would facilitate the users to achieve optimum power transmission from drives consisting of PIX-PowerWare® Pulley with the matched PIX V-Belt. It will also help users in getting a complete power-drive solution comprising of Pulleys and Belts from the same manufacturer, thus eliminating the chances of mismatch anywhere.

PIX-PowerWare® pulleys are made as per international standards and follow a strict manufacturing procedure in accordance with the ISO standards.

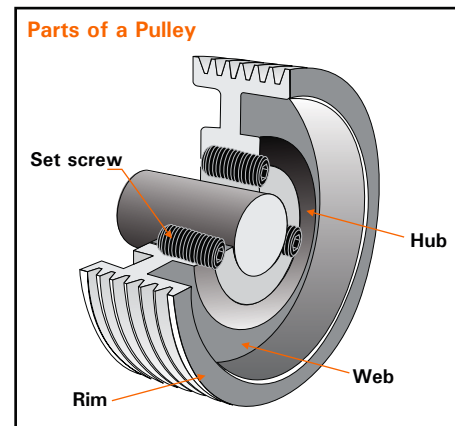
The next few pages feature the product range of pulleys and bushes mainly for Wrap and Raw Edge Cogged Belts. The detailed range of pulleys & bushes for Ribbed and Timing Belts is available upon request.

About Pulleys

A pulley is also called a sheave or drum and may have a groove between two flanges around its circumference. The drive element of a pulley system can be a rope, cable, belt, or chain that runs over the pulley inside the groove.

A belt and pulley system is characterized by two or more pulleys in common to a belt. This allows for mechanical power, torque, and speed to be transmitted across axles. If the pulleys are of differing diameters, a mechanical advantage is realised.

A belt drive is analogous to that of a chain drive, however a belt sheave may be smooth (devoid of discrete interlocking members as would be found on a chain sprocket, spur gear, or timing belt) so that the mechanical advantage is approximately given by the ratio of the pitch diameter of the sheaves only, not fixed exactly by the ratio of teeth as with gears and sprockets.



Pulleys, Bush & Pulleys+Bush assembly codification methodology

Pulley codification:

TLPZ010067X

① ② ③ ④ ⑤

- 1- **Pulley Type** : Taper Bush Pulley "TLP"
: Pilot Bore Pulley "PBP"
- 2----- : Pulley section
- 3----- : Number of grooves
- 4----- : PCD in mm
- 5----- : Material type code.
No code is required for cast iron pulleys

Pulley codification: (Narrow Section)

13V265TB

① ② ③ ④

- 1----- : Number of grooves
- 2----- : Pulley Section
- 3----- : OD in inches
(Divided by 100)
- 4----- : Taper Bush

Pulley + Bush assembly codification:

TLPB B10125050125X

① ② ③ ④ ⑤ ⑥ ⑦

- 1- **Taper Bush Pulley & Bush Assembly** "TLPB"
- 2----- : Pulley section
- 3----- : Number of grooves
- 4----- : PCD in mm
- 5----- : Bush Number
- 6----- : Bore Diameter
- 7----- : Material type code. No code is required for cast iron pulleys

Bush codification:

TLB1108028X

① ② ③ ④

- 1- **Bush Type** : PIX Bush Code
- 2----- : Bush Number
- 3----- : Bore Diameter
- 4----- : Material type code.
No code is required for cast iron bushes

Features & benefits of PIX-PowerWare® Pulleys

- Manufactured from grey cast iron which gives consistently high quality product
- Pulley & pulley groove specification conforms to IS 3142 & ISO 4183 standards
- Precise surface finish ensure proper grip & wedging
- Increased Belt life which reduces recurring purchase cost
- Accurate and precise grooves to eliminate slippage of belts
- Eliminates the chances of damage to the shaft, bearing, motor or machinery during installation and removal, as there is no need of hammering the pulleys
- No special tool is required except a hexagonal key
- Saves time in installation and removal of pulleys
- Highly wear resistant.
- Statically balanced in general. Dynamic balancing of larger pulley is done on request
- Facilitates easy selection of different bore and key-way requirements
- Wide product range in V-Groove pulleys. Also available in Poly-V and Timing on request

Advantages of Taper Bush

- Ease of installation and removal
- Reduces time and cost in fitting
- No need of re-boring, full range of both metric and imperial sizes are available
- Facilitates easy assemble / disassemble from pulley and other transmission parts
- Bushes are machined with standard key-ways

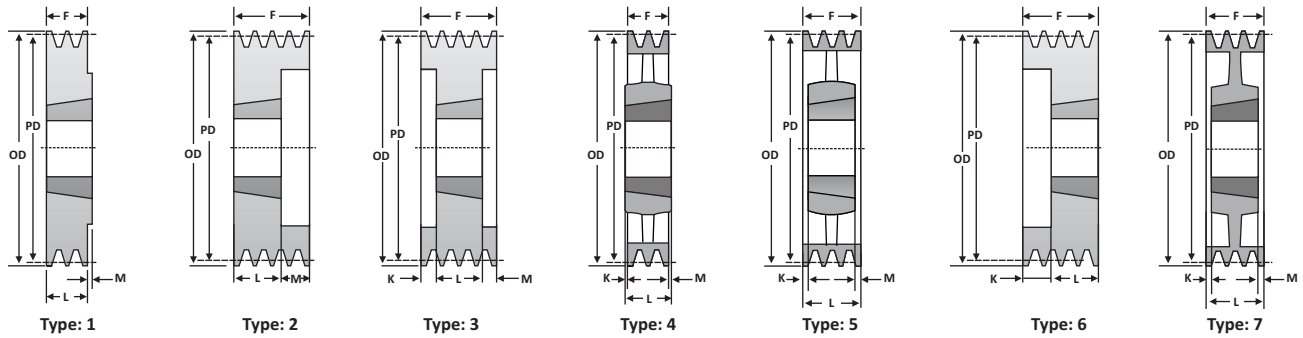


Note: Customised sizes and special bush type pulleys are also available on request.

Minimum recommended Pulley diameter

Section	Minimum Recommended Pulley Diameter (mm)	Section	Minimum Recommended Pulley Diameter (mm)
Z	50.0	3V	63.0
A	71.0	5V	140.0
B	112.0	8V	335.0
C	180.0		
SPZ	63.0		
SPA	90.0		
SPB	140.0		
SPC	224.0		

Pulleys for use with "Z" & "SPZ" Section Belts

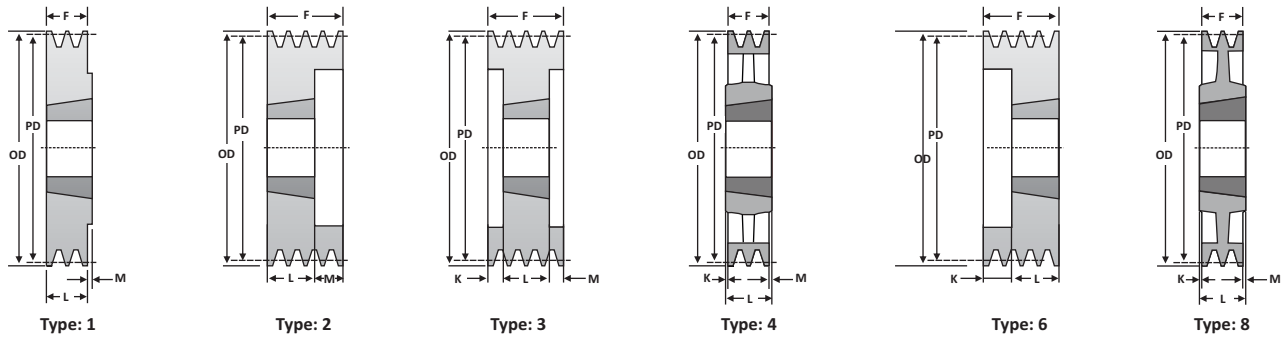


Product Code	Pitch Diameter (PD) (mm)	Outer Diameter (OD) (mm)	Number of grooves	Bush Number	Bush Max. Bore		F	K	L	M	Pulley Type
					Metric (mm)	Imperial (Inches)					
TLPZ010067	67	71	1	1108	28	1 1/8"	16	-	23	7	1
TLPZ020067			2	1108	28	1 1/8"	28	5	23	-	6
TLPZ010071	71	75	1	1108	28	1 1/8"	16	-	23	7	1
TLPZ020071			2	1108	28	1 1/8"	28	5	23	-	6
TLPZ010075	75	79	1	1108	28	1 1/8"	16	-	23	7	1
TLPZ020075			2	1210	32	1 1/4"	28	3	25	-	6
TLPZ010080	80	84	1	1210	32	1 1/4"	16	-	26	10	1
TLPZ020080			2	1210	32	1 1/4"	28	3	25	-	6
TLPZ030080			3	1210	32	1 1/4"	40	14	26	-	6
TLPZ010085	85	89	1	1210	32	1 1/4"	16	-	26	10	1
TLPZ020085			2	1610	42	1 5/8"	28	3	25	-	6
TLPZ030085			3	1610	42	1 5/8"	40	14	26	-	6
TLPZ040085			4	1610	42	1 5/8"	52	26	26	-	6
TLPZ010090	90	94	1	1210	32	1 1/4"	16	-	26	10	1
TLPZ020090			2	1610	42	1 5/8"	28	3	25	-	6
TLPZ030090			3	1610	42	1 5/8"	40	14	26	-	6
TLPZ040090			4	1610	42	1 5/8"	52	26	26	-	6
TLPZ050090			5	1610	42	1 5/8"	64	38	26	-	6
TLPZ010095	95	99	1	1210	32	1 1/4"	16	-	26	10	1
TLPZ020095			2	1610	42	1 5/8"	28	3	25	-	6
TLPZ030095			3	1610	42	1 5/8"	40	14	26	-	6
TLPZ040095			4	1610	42	1 5/8"	52	26	26	-	6
TLPZ050095			5	1610	42	1 5/8"	64	38	26	-	6
TLPZ010100	100	104	1	1210	32	1 1/4"	16	-	26	10	1
TLPZ020100			2	1610	42	1 5/8"	28	3	25	-	6
TLPZ030100			3	1610	42	1 5/8"	40	14	26	-	6
TLPZ040100			4	2012	50	2"	52	26	26	-	6
TLPZ050100			5	2012	50	2"	64	31	33	-	6
TLPZ010112	112	116	1	1610	42	1 5/8"	16	-	26	10	1
TLPZ020112			2	1610	42	1 5/8"	28	3	25	-	6
TLPZ030112			3	2012	50	2"	40	7	33	-	6
TLPZ040112			4	2012	50	2"	52	19	33	-	6
TLPZ050112			5	2012	50	2"	64	31	33	-	6
TLPZ010125	125	129	1	1610	42	1 5/8"	16	-	26	10	1
TLPZ020125			2	1610	42	1 5/8"	28	3	25	-	6
TLPZ030125			3	2012	50	2"	40	7	33	-	6
TLPZ040125			4	2012	50	2"	52	19	33	-	6
TLPZ050125			5	2517	60	2 1/2"	64	18	46	-	6

Pulleys for use with "Z" & "SPZ" Section Belts

Product Code	Pitch Diameter (PD) (mm)	Outer Diameter (OD) (mm)	Number of grooves	Bush Number	Bush Max. Bore		F	K	L	M	Pulley Type
					Metric (mm)	Imperial (Inches)					
TLPZ010140	140	144	1	1610	42	1 5/8"	16	-	26	10	1
TLPZ020140			2	1610	42	1 5/8"	28	3	25	-	6
TLPZ030140			3	2012	50	2"	40	-	33	7	2
TLPZ040140			4	2012	50	2"	52	-	33	19	2
TLPZ050140			5	2517	60	2 1/2"	64	-	46	18	2
TLPZ010160	160	164	1	1610	42	1 5/8"	16	-	26	10	1
TLPZ020160			2	2012	50	2"	28	-	33	5	1
TLPZ030160			3	2012	50	2"	40	-	33	7	2
TLPZ040160			4	2517	60	2 1/2"	52	-	46	6	2
TLPZ050160			5	2517	60	2 1/2"	64	-	46	18	2
TLPZ010180	180	184	1	1610	42	1 5/8"	16	-	25	9	1
TLPZ020180			2	2012	50	2"	28	-	33	5	1
TLPZ030180			3	2012	50	2"	40	-	33	7	2
TLPZ040180			4	2517	60	2 1/2"	52	-	46	6	2
TLPZ050180			5	2517	60	2 1/2"	64	-	46	18	2
TLPZ010200	200	204	1	2012	50	2"	16	-	33	17	1
TLPZ020200			2	2012	50	2"	28	-	33	5	1
TLPZ030200			3	2012	50	2"	40	-	33	7	2
TLPZ040200			4	2517	60	2 1/2"	52	3.5	45	3.5	3
TLPZ050200			5	2517	60	2 1/2"	64	9.5	45	9.5	7
TLPZ010250	250	254	1	2012	50	2"	16	8.0	32	8.0	4
TLPZ020250			2	2012	50	2"	28	2.0	32	2.0	4
TLPZ030250			3	2012	50	2"	40	4.0	32	4.0	5
TLPZ040250			4	2517	60	2 1/2"	52	3.5	45	3.5	7
TLPZ050250			5	2517	60	2 1/2"	64	9.5	45	9.5	5
TLPZ010315	315	319	1	2012	50	2"	16	8.0	32	8.0	4
TLPZ020315			2	2012	50	2"	28	2.0	32	2.0	4
TLPZ030315			3	2517	60	2 1/2"	40	2.5	45	2.5	4
TLPZ040315			4	2517	60	2 1/2"	52	3.5	45	3.5	5
TLPZ050315			5	2517	60	2 1/2"	64	9.5	45	9.5	5
TLPZ010400	400	404	1	2012	50	2"	16	8.0	32	8.0	4
TLPZ020400			2	2517	60	2 1/2"	28	8.5	45	8.5	4
TLPZ030400			3	2517	60	2 1/2"	40	2.5	45	2.5	4
TLPZ040400			4	2517	60	2 1/2"	52	3.5	45	3.5	5
TLPZ050400			5	3020	75	3"	64	6.5	51	6.5	5
TLPZ020500	500	504	2	2517	60	2 1/2"	28	8.5	45	8.5	4
TLPZ030500			3	2517	60	2 1/2"	40	2.5	45	2.5	4
TLPZ040500			4	3020	75	3"	52	0.5	51	0.5	5
TLPZ050500			5	3020	75	3"	64	6.0	76	6.0	5

Pulleys for use with "A" & "SPA" Section Belts



Product Code	Pitch Diameter (PD) (mm)	Outer Diameter (OD) (mm)	Number of grooves	Bush Number	Bush Max. Bore		F	K	L	M	Pulley Type
					Metric (mm)	Imperial (Inches)					
TLPA010067	67	72.5	1	1108	28	1 1/8"	20	-	22	2.0	1
TLPA020067			2	1108	28	1 1/8"	35	13.0	22	-	6
TLPA010071	71	76.5	1	1108	28	1 1/8"	20	-	22	2.0	1
TLPA020071			2	1108	28	1 1/8"	35	13.0	22	-	6
TLPA030071			3	1108	28	1 1/8"	50	28.0	22	-	6
TLPA010075	75	80.5	1	1108	28	1 1/8"	20	-	22	2.0	1
TLPA020075			2	1108	28	1 1/8"	35	13.0	22	-	6
TLPA030075			3	1210	32	1 1/4"	50	25.0	25	-	6
TLPA010080	80	85.5	1	1108	28	1 1/8"	20	-	22	2.0	1
TLPA020080			2	1108	28	1 1/8"	35	13.0	22	-	6
TLPA030080			3	1210	32	1 1/4"	50	25.0	25	-	6
TLPA040080			4	1215	32	1 1/4"	65	27.0	38	-	6
TLPA050080			5	1215	32	1 1/4"	80	42.0	38	-	6
TLPA010085	85	90.5	1	1108	28	1 1/8"	20	-	22	2.0	1
TLPA020085			2	1108	28	1 1/8"	35	13.0	22	-	6
TLPA030085			3	1210	32	1 1/4"	50	25.0	25	-	6
TLPA040085			4	1215	32	1 1/4"	65	27.0	38	-	6
TLPA050085			5	1215	32	1 1/4"	80	42.0	38	-	6
TLPA010090	90	95.5	1	1210	32	1 1/4"	20	-	22	2.0	1
TLPA020090			2	1210	32	1 1/4"	35	13.0	22	-	6
TLPA030090			3	1610	42	1 5/8"	50	25.0	25	-	6
TLPA040090			4	1615	42	1 5/8"	65	13.5	38	13.5	3
TLPA050090			5	1615	42	1 5/8"	80	21.0	38	21.0	3
TLPA010095	95	100.5	1	1610	42	1 5/8"	20	-	22	2.0	1
TLPA020095			2	1610	42	1 5/8"	35	13.0	22	-	6
TLPA030095			3	1610	42	1 5/8"	50	25.0	25	-	6
TLPA040095			4	1615	42	1 5/8"	65	13.5	38	13.5	3
TLPA050095			5	1615	42	1 5/8"	80	21.0	38	21.0	3
TLPA010100	100	105.5	1	1610	42	1 5/8"	20	-	25	5.0	1
TLPA020100			2	1610	42	1 5/8"	35	10.0	25	-	6
TLPA030100			3	1610	42	1 5/8"	50	25.0	25	-	6
TLPA040100			4	1615	42	1 5/8"	65	27	38	-	6
TLPA050100			5	1615	42	1 5/8"	80	42.0	38	-	6
TLPA060100			6	1615	42	1 5/8"	95	28.5	38	28.5	6
TLPA010106	106	111.5	1	1610	42	1 5/8"	20	-	25	5.0	1
TLPA020106			2	1610	42	1 5/8"	35	10.0	25	-	6
TLPA030106			3	1610	42	1 5/8"	50	25.0	25	-	6
TLPA040106			4	1615	42	1 5/8"	65	27.0	38	-	6
TLPA050106			5	2012	50	2"	80	48.0	32	-	6
TLPA060106			6	2012	50	2"	95	31.5	32	31.5	6

Pulleys for use with "A" & "SPA" Section Belts

Product Code	Pitch Diameter (PD) (mm)	Outer Diameter (OD) (mm)	Number of grooves	Bush Number	Bush Max. Bore		F	K	L	M	Pulley Type
					Metric (mm)	Imperial (Inches)					
TLPA010112	112	117.5	1	1610	42	1 5/8"	20	-	25	5.0	1
TLPA020112			2	1610	42	1 5/8"	35	10.0	25	-	6
TLPA030112			3	2012	50	2"	50	18.0	32	-	6
TLPA040112			4	2012	50	2"	65	33.0	32	-	6
TLPA050112			5	2012	50	2"	80	48.0	32	-	6
TLPA060112			6	2012	50	2"	95	63.0	32	-	6
TLPA010118	118	123.5	1	1610	42	1 5/8"	20	-	25	5.0	1
TLPA020118			2	1610	42	1 5/8"	35	10.0	25	-	6
TLPA030118			3	2012	50	2"	50	18.0	32	-	6
TLPA040118			4	2012	50	2"	65	33.0	32	-	6
TLPA050118			5	2012	50	2"	80	48.0	32	-	6
TLPA060118			6	2012	50	2"	95	63.0	32	-	6
TLPA010125	125	130.5	1	1610	42	1 5/8"	20	-	25	5.0	1
TLPA020125			2	1610	42	1 5/8"	35	-	25	10.0	2
TLPA030125			3	2012	50	2"	50	-	32	18.0	2
TLPA040125			4	2012	50	2"	65	-	32	33.0	2
TLPA050125			5	2012	50	2"	80	-	32	48.0	2
TLPA060125			6	2012	50	2"	95	31.5	32	31.5	2
TLPA010132	132	137.5	1	1610	42	1 5/8"	20	-	25	5.0	1
TLPA020132			2	1610	42	1 5/8"	35	-	25	10.0	2
TLPA030132			3	2012	50	2"	50	-	32	18.0	2
TLPA040132			4	2517	60	2 1/2"	65	-	45	20.0	2
TLPA050132			5	2517	60	2 1/2"	80	-	45	35.0	2
TLPA060132			6	2517	60	2 1/2"	95	25.0	45	25.0	2
TLPA010140	140	145.5	1	1610	42	1 5/8"	20	-	25	5.0	1
TLPA020140			2	2012	50	2"	35	3.0	32	-	6
TLPA030140			3	2517	60	2 1/2"	50	-	45	5.0	2
TLPA040140			4	2517	60	2 1/2"	65	-	45	20.0	2
TLPA050140			5	2517	60	2 1/2"	80	-	45	35.0	2
TLPA060140			6	2517	60	2 1/2"	95	25.0	45	25.0	2
TLPA010150	150	155.5	1	1610	42	1 5/8"	20	-	25	5.0	1
TLPA020150			2	2012	50	2"	35	3.0	32	-	6
TLPA030150			3	2517	60	2 1/2"	50	-	45	5.0	2
TLPA040150			4	2517	60	2 1/2"	65	-	45	20.0	2
TLPA050150			5	2517	60	2 1/2"	80	-	45	35.0	2
TLPA060150			6	2517	60	2 1/2"	95	25.0	45	25.0	2
TLPA010160	160	165.5	1	1610	42	1 5/8"	20	-	25	5.0	1
TLPA020160			2	2012	50	2"	35	3.0	32	-	6
TLPA030160			3	2517	60	2 1/2"	50	-	45	5.0	2
TLPA040160			4	2517	60	2 1/2"	65	-	45	20.0	2
TLPA050160			5	2517	60	2 1/2"	80	-	45	35.0	2
TLPA060160			6	2517	60	2 1/2"	95	25.0	45	25.0	2
TLPA010170	170	175.5	1	1610	42	1 5/8"	20	-	25	5.0	1
TLPA020170			2	2012	50	2"	35	3.0	32	-	6
TLPA030170			3	2517	60	2 1/2"	50	-	45	5.0	2
TLPA040170			4	2517	60	2 1/2"	65	-	45	20.0	2
TLPA050170			5	2517	60	2 1/2"	80	-	45	35.0	2
TLPA060170			6	2517	60	2 1/2"	95	25.0	45	25.0	2

Pulleys for use with "A" & "SPA" Section Belts

Product Code	Pitch Diameter (PD) (mm)	Outer Diameter (OD) (mm)	Number of grooves	Bush Number	Bush Max. Bore		F	K	L	M	Pulley Type
					Metric (mm)	Imperial (Inches)					
TLPA010180	180	185.5	1	1610	42	1 5/8"	20	-	25	5.0	1
TLPA020180			2	2012	50	2"	35	-	32	3.0	2
TLPA030180			3	2517	60	2 1/2"	50	-	45	5.0	2
TLPA040180			4	2517	60	2 1/2"	65	-	45	20.0	2
TLPA050180			5	3020	75	3"	80	-	51	29.0	2
TLPA060180			6	3020	75	3"	95	22.0	51	22.0	2
TLPA010190	190	195.5	1	2012	50	2"	20	-	32	12.0	1
TLPA020190			2	2012	50	2"	35	-	32	3.0	2
TLPA030190			3	2517	60	2 1/2"	50	-	45	5.0	2
TLPA040190			4	3020	75	3"	65	-	51	14.0	2
TLPA050190			5	3020	75	3"	80	-	51	29.0	2
TLPA060190			6	3020	75	3"	95	22.0	51	22.0	3
TLPA010200	200	205.5	1	2012	50	2"	20	-	32	12.0	1
TLPA020200			2	2517	60	2 1/2"	45	-	35	10.0	8
TLPA030200			3	2517	60	2 1/2"	50	-	45	5.0	3
TLPA040200			4	3020	75	3"	65	-	51	14.0	2
TLPA050200			5	3020	75	3"	80	-	51	29.0	2
TLPA060200			6	3020	75	3"	95	-	51	22.0	2
TLPA010212	212	217.5	1	2012	50	2"	20	-	32	12.0	1
TLPA020212			2	2517	60	2 1/2"	35	-	45	10.0	8
TLPA030212			3	2517	60	2 1/2"	50	-	45	5.0	3
TLPA040212			4	3020	75	3"	65	-	51	14.0	2
TLPA050212			5	3020	75	3"	80	-	51	29.0	2
TLPA060212			6	3020	75	3"	95	22.0	51	22.0	3
TLPA010224	224	229.5	1	2012	50	2"	20	-	32	12.0	1
TLPA020224			2	2517	60	2 1/2"	35	-	45	10.0	8
TLPA030224			3	2517	60	2 1/2"	50	-	45	5.0	3
TLPA040224			4	3020	75	3"	65	-	51	14.0	2
TLPA050224			5	3020	75	3"	80	-	51	29.0	2
TLPA060224			6	3020	75	3"	95	22.0	51	22.0	2
TLPA010236	236	241.5	1	2012	50	2"	20	-	32	12.0	1
TLPA020236			2	2517	60	2 1/2"	35	-	45	10.0	8
TLPA030236			3	2517	60	2 1/2"	50	-	45	5.0	3
TLPA040236			4	3020	75	3"	65	-	51	14.0	2
TLPA050236			5	3020	75	3"	80	-	51	29.0	2
TLPA060236			6	3020	75	3"	95	22.0	51	22.0	2
TLPA010250	250	255.5	1	2012	50	2"	20	-	32	12.0	1
TLPA020250			2	2517	60	2 1/2"	35	-	45	10.0	8
TLPA030250			3	2517	60	2 1/2"	50	2.5	45	2.5	7
TLPA040250			4	3020	75	3"	65	7.0	51	7.0	7
TLPA050250			5	3020	75	3"	80	14.5	51	14.5	7
TLPA060250			6	3020	75	3"	95	22.0	51	22.0	7
TLPA010265	265	270.5	1	2012	50	2"	20	-	32	12.0	1
TLPA020265			2	2517	60	2 1/2"	35	-	45	10.0	8
TLPA030265			3	2517	60	2 1/2"	50	2.5	45	2.5	7
TLPA040265			4	3020	75	3"	65	7.0	51	7.0	7
TLPA050265			5	3020	75	3"	80	14.5	51	14.5	7
TLPA060265			6	3020	75	3"	95	22.0	51	22.0	7

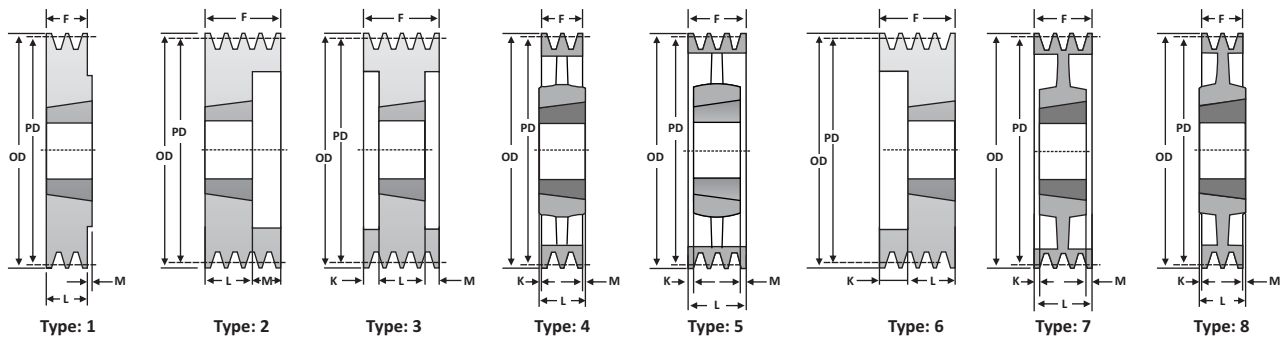
Pulleys for use with "A" & "SPA" Section Belts

Product Code	Pitch Diameter (PD) (mm)	Outer Diameter (OD) (mm)	Number of grooves	Bush Number	Bush Max. Bore		F	K	L	M	Pulley Type
					Metric (mm)	Imperial (Inches)					
TLPA010280	280	285.5	1	2012	50	2"	20	-	32	12.0	1
TLPA020280			2	2517	60	2 1/2"	35	-	45	10.0	8
TLPA030280			3	2517	60	2 1/2"	50	-	45	5.0	7
TLPA040280			4	3020	75	3"	65	7.0	51	7.0	7
TLPA050280			5	3535	90	3 1/2"	80	-	89	9.0	8
TLPA060280			6	3535	90	3 1/2"	95	-	89	6.0	7
TLPA010300	300	305.5	1	2012	50	2"	20	-	32	12.0	1
TLPA020300			2	2517	60	2 1/2"	35	-	45	10.0	8
TLPA030300			3	2517	60	2 1/2"	50	-	45	5.0	7
TLPA040300			4	3020	75	3"	65	7.0	51	7.0	7
TLPA050300			5	3535	90	3 1/2"	80	-	89	9.0	8
TLPA060300			6	3535	90	3 1/2"	95	-	89	6.0	7
TLPA010315	315	320.5	1	2012	50	2"	20	-	32	12.0	1
TLPA020315			2	2517	60	2 1/2"	35	-	45	10.0	4
TLPA030315			3	3020	75	3"	50	0.5	51	0.5	8
TLPA040315			4	3020	75	3"	65	7.0	51	7.0	7
TLPA050315			5	3535	90	3 1/2"	80	4.5	89	9.0	8
TLPA060315			6	3535	90	3 1/2"	95	-	89	6.0	7
TLPA010335	335	340.5	1	2012	50	2"	20	-	32	12.0	1
TLPA020335			2	2517	60	2 1/2"	35	-	45	10.0	4
TLPA030335			3	3020	75	3"	50	-	51	1.0	8
TLPA040335			4	3020	75	3"	65	7.0	51	7.0	7
TLPA050335			5	3535	90	3 1/2"	80	-	89	9.0	8
TLPA060335			6	3535	90	3 1/2"	95	-	89	6.0	7
TLPA010355	355	360.5	1	2012	50	2"	20	-	32	12.0	1
TLPA020355			2	2517	60	2 1/2"	35	-	45	10.0	4
TLPA030355			3	3020	75	3"	50	-	51	1.0	6
TLPA040355			4	3020	75	3"	65	7.0	51	7.0	7
TLPA050355			5	3535	90	3 1/2"	80	-	89	9.0	8
TLPA060355			6	3535	90	3 1/2"	95	-	89	6.0	7
TLPA010375	375	380.5	1	2012	50	2"	20	-	32	12.0	1
TLPA020375			2	2517	60	2 1/2"	35	-	45	10.0	4
TLPA030375			3	3020	75	3"	50	-	51	1.0	8
TLPA040375			4	3020	75	3"	65	7.0	51	7.0	7
TLPA050375			5	3535	90	3 1/2"	80	-	89	9.0	8
TLPA060375			6	3535	90	3 1/2"	95	-	89	6.0	7
TLPA010400	400	405.5	1	2012	50	2"	20	-	32	12.0	1
TLPA020400			2	2517	60	2 1/2"	35	-	45	10.0	4
TLPA030400			3	3020	75	3"	50	0.5	51	0.5	4
TLPA040400			4	3020	75	3"	65	7.0	51	7.0	5
TLPA050400			5	3535	90	3 1/2"	80	4.5	89	4.5	4
TLPA060400			6	3535	90	3 1/2"	95	-	89	6.0	4
TLPA010425	425	430.5	1	2012	50	2"	20	-	32	12.0	1
TLPA020425			2	2517	60	2 1/2"	35	-	45	10.0	4
TLPA030425			3	3020	75	3"	50	-	51	1.0	4
TLPA040425			4	3020	75	3"	65	7.0	51	7.0	5
TLPA050425			5	3535	90	3 1/2"	80	-	89	9.0	4
TLPA060425			6	3535	90	3 1/2"	95	-	89	6.0	4

Pulleys for use with "A" & "SPA" Section Belts

Product Code	Pitch Diameter (PD) (mm)	Outer Diameter (OD) (mm)	Number of grooves	Bush Number	Bush Max. Bore		F	K	L	M	Pulley Type
					Metric (mm)	Imperial (Inches)					
TLPA010450	450	455.5	1	2012	50	2"	20	-	32	12.0	1
TLPA020450			2	2517	60	2 1/2"	45	-	35	10.0	4
TLPA030450			3	3020	75	3"	51	-	50	1.0	4
TLPA040450			4	3020	75	3"	65	7.0	51	7.0	5
TLPA050450			5	3535	90	3 1/2"	89	-	80	9.0	4
TLPA060450			6	3535	90	3 1/2"	95	-	89	6.0	4
TLPA010475	475	480.5	1	2012	50	2"	32	-	20	12.0	4
TLPA020475			2	2517	60	2 1/2"	45	-	35	10.0	4
TLPA030475			3	3020	75	3"	51	-	50	1.0	4
TLPA040475			4	3020	75	3"	65	7.0	51	7.0	5
TLPA050475			5	3535	90	3 1/2"	89	-	80	9.0	4
TLPA060475			6	3535	90	3 1/2"	95	-	89	6.0	4
TLPA010500	500	505.5	1	2517	60	2 1/2"	45	-	20	25.0	4
TLPA020500			2	2517	60	2 1/2"	45	-	35	10.0	4
TLPA030500			3	3020	75	3"	51	0.5	50	0.5	4
TLPA040500			4	3020	75	3"	65	7.0	51	7.0	5
TLPA050500			5	3535	90	3 1/2"	89	4.5	80	4.5	4
TLPA060500			6	3535	90	3 1/2"	95	-	89	6.0	4
TLPA010530	530	535.5	1	2517	60	2 1/2"	45	-	20	25.0	4
TLPA020530			2	2517	60	2 1/2"	45	-	35	10.0	4
TLPA030530			3	3020	75	3"	51	-	50	1.0	4
TLPA040530			4	3020	75	3"	65	7.0	51	7.0	5
TLPA050530			5	3535	90	3 1/2"	89	4.5	80	4.5	4
TLPA060530			6	3535	90	3 1/2"	95	-	89	6.0	5
TLPA010560	560	565.5	1	3020	75	3"	32	-	20	12.0	4
TLPA020560			2	3020	75	3"	45	-	35	10.0	4
TLPA030560			3	3020	75	3"	51	-	50	1.0	4
TLPA040560			4	3535	90	3 1/2"	65	7.0	51	7.0	4
TLPA050560			5	3535	90	3 1/2"	89	-	80	9.0	4
TLPA060560			6	3535	90	3 1/2"	95	-	51	6.0	5
TLPA010630	630	635.5	1	3020	75	3"	51	-	20	31.0	4
TLPA020630			2	3020	75	3"	51	-	35	16.0	4
TLPA030630			3	3020	75	3"	51	0.5	50	0.5	4
TLPA040630			4	3535	90	3 1/2"	89	12.0	65	12.0	4
TLPA050630			5	3535	90	3 1/2"	89	4.5	80	4.5	4
TLPA060630			6	4040	100	4"	102	-	95	7.0	4
TLPA030710	710	715.5	3	3020	75	3"	51	-	50	1.0	4
TLPA040710			4	3535	90	3 1/2"	89	12.0	65	12.0	4
TLPA050710			5	3535	90	3 1/2"	89	-	80	9.0	4
TLPA060710			6	4040	100	4"	102	-	95	7.0	4
TLPA030800	800	805.5	3	3535	90	3 1/2"	89	19.5	50	19.5	4
TLPA040800			4	3535	90	3 1/2"	89	12.0	65	12.0	4
TLPA050800			5	4040	100	4"	102	11.0	80	11.0	4
TLPA060800			6	4040	100	4"	102	3.5	95	3.5	4

Pulleys for use with "B" & "SPB" Section Belts



Product Code	Pitch Diameter (PD) (mm)	Outer Diameter (OD) (mm)	Number of grooves	Bush Number	Bush Max. Bore		F	K	L	M	Pulley Type
					Metric (mm)	Imperial (Inches)					
TLPB010100	100	107	1	1610	42	1 5/8"	25	-	25	-	1
TLPB020100			2	1610	42	1 5/8"	44	19.0	25	-	6
TLPB030100			3	1610	42	1 5/8"	63	38.0	25	-	6
TLPB010106	106	113	1	1610	42	1 5/8"	25	-	25	-	1
TLPB020106			2	1610	42	1 5/8"	44	19.0	25	-	6
TLPB030106			3	1610	42	1 5/8"	63	38.0	25	-	6
TLPB010112	112	119	1	1610	42	1 5/8"	25	-	25	-	1
TLPB020112			2	1610	42	1 5/8"	44	19.0	25	-	6
TLPB030112			3	1610	42	1 5/8"	63	38.0	25	-	6
TLPB010118	118	125	1	1610	42	1 5/8"	25	-	25	-	1
TLPB020118			2	1610	42	1 5/8"	44	-	25	19.0	6
TLPB030118			3	1610	42	1 5/8"	63	-	25	38.0	6
TLPB010125	125	132	1	1610	42	1 5/8"	25	-	25	-	1
TLPB020125			2	1610	42	1 5/8"	44	19.0	25	-	6
TLPB030125			3	1610	42	1 5/8"	63	38.0	25	-	6
TLPB040125			4	2012	50	2"	82	25.0	32	25.0	3
TLPB050125			5	2012	50	2"	101	34.5	32	34.5	3
TLPB060125			6	2012	50	2"	120	44.0	32	44.0	3
TLPB010132	132	139	1	1610	42	1 5/8"	25	-	25	-	1
TLPB020132			2	1610	42	1 5/8"	44	19.0	25	-	6
TLPB030132			3	1610	42	1 5/8"	63	38.0	25	-	6
TLPB040132			4	2012	50	2"	82	25.0	32	25.0	3
TLPB050132			5	2012	50	2"	101	-	32	69.0	2
TLPB060132			6	2012	50	2"	120	44.0	32	44.0	3
TLPB010140	140	147	1	1610	42	1 5/8"	25	-	25	-	1
TLPB020140			2	1610	42	1 5/8"	44	19.0	25	-	6
TLPB030140			3	1610	42	1 5/8"	63	38.0	25	-	6
TLPB040140			4	2012	50	2"	82	25.0	32	25.0	3
TLPB050140			5	2012	50	2"	101	-	32	69.0	2
TLPB060140			6	2517	60	2 1/2"	120	44.0	32	44.0	3
TLPB010150	150	157	1	1610	42	1 5/8"	25	-	25	-	1
TLPB020150			2	1610	42	1 5/8"	44	19.0	25	-	6
TLPB030150			3	2012	50	2"	63	31.0	32	-	6
TLPB040150			4	2012	50	2"	82	25.0	32	25.0	3
TLPB050150			5	2517	60	2 1/2"	101	-	45	56.0	2
TLPB060150			6	2517	60	2 1/2"	120	-	45	75.0	2
TLPB080150			8	2517	60	2 1/2"	158	56.5	45	56.5	2

Pulleys for use with "B" & "SPB" Section Belts

Product Code	Pitch Diameter (PD) (mm)	Outer Diameter (OD) (mm)	Number of grooves	Bush Number	Bush Max. Bore		F	K	L	M	Pulley Type
					Metric (mm)	Imperial (Inches)					
TLPB010160	160	167	1	1610	42	1 5/8"	25	-	25	-	1
TLPB020160			2	2012	50	2"	44	12.0	32	-	6
TLPB030160			3	2517	60	2 1/2"	63	18.0	45	-	6
TLPB040160			4	2517	60	2 1/2"	82	18.5	45	18.5	3
TLPB050160			5	2517	60	2 1/2"	101	28.0	45	28.0	3
TLPB060160			6	2517	60	2 1/2"	120	-	45	75.0	2
TLPB080160			8	3020	75	3"	158	51.5	51	53.5	3
TLPB010170			170	177	1	1610	42	1 5/8"	25	-	25
TLPB020170	2	2012			50	2"	44	12.0	32	-	6
TLPB030170	3	2517			60	2 1/2"	63	18.0	45	-	6
TLPB040170	4	2517			60	2 1/2"	82	18.5	45	18.5	3
TLPB050170	5	3020			75	3"	101	25.0	51	25.0	3
TLPB060170	6	3020			75	3"	120	-	51	69.0	2
TLPB080170	8	3030			75	3"	158	41.0	76	41.0	3
TLPB010180	180	187			1	1610	42	1 5/8"	25	-	25
TLPB020180			2	2012	50	2"	44	12.0	32	-	6
TLPB030180			3	2517	60	2 1/2"	63	18.0	45	-	6
TLPB040180			4	2517	60	2 1/2"	82	18.5	45	18.5	3
TLPB050180			5	3020	75	3"	101	25.0	51	25.0	3
TLPB060180			6	3020	75	3"	120	-	51	69.0	2
TLPB080180			8	3030	75	3"	158	41.0	76	41.0	3
TLPB010190			190	197	1	2012	50	2"	25	-	32
TLPB020190	2	2517			60	2 1/2"	44	-	45	-	1
TLPB030190	3	2517			60	2 1/2"	63	18.0	45	-	6
TLPB040190	4	2517			60	2 1/2"	82	18.5	45	18.5	3
TLPB050190	5	3020			75	3"	101	28.0	51	25.0	3
TLPB060190	6	3020			75	3"	120	-	51	75.0	2
TLPB080190	8	3030			75	3"	158	41.0	76	41.0	3
TLPB010200	200	207			1	2012	50	2"	25	-	32
TLPB020200			2	2517	60	2 1/2"	44	-	45	1.0	1
TLPB030200			3	2517	60	2 1/2"	63	-	45	18.0	2
TLPB040200			4	3020	75	3"	82	-	51	31.0	2
TLPB050200			5	3020	75	3"	101	-	51	50.0	2
TLPB060200			6	3020	75	3"	120	-	51	69.0	2
TLPB080200			8	3535	90	3 1/2"	158	34.5	89	34.5	3
TLPB010212			212	219	1	2012	50	2"	25	-	32
TLPB020212	2	2517			60	2 1/2"	44	-	45	1.0	1
TLPB030212	3	2517			60	2 1/2"	63	-	45	18.0	2
TLPB040212	4	3020			75	3"	82	-	51	31.0	2
TLPB050212	5	3020			75	3"	101	-	51	50.0	2
TLPB060212	6	3020			75	3"	120	-	51	69.0	2
TLPB080212	8	3535			90	3 1/2"	158	34.5	89	34.5	3
TLPB010224	224	231			1	2012	50	2"	25	-	32
TLPB020224			2	2517	60	2 1/2"	44	-	45	1.0	1
TLPB030224			3	2517	60	2 1/2"	63	-	45	18.0	2
TLPB040224			4	3020	75	3"	82	-	51	31.0	2
TLPB050224			5	3020	75	3"	101	-	51	50.0	2

Pulleys for use with "B" & "SPB" Section Belts

Product Code	Pitch Diameter (PD) (mm)	Outer Diameter (OD) (mm)	Number of grooves	Bush Number	Bush Max. Bore		F	K	L	M	Pulley Type
					Metric (mm)	Imperial (Inches)					
TLPB060224	224	231	6	3020	75	3"	120	-	51	69.0	2
TLPB080224			8	3535	90	3 1/2"	158	34.5	89	34.5	3
TLPB100224			10	3535	90	3 1/2"	196	53.5	89	53.5	3
TLPB010236	236	243	1	2012	50	2"	25	-	32	7.0	1
TLPB020236			2	2517	60	2 1/2"	44	-	45	1.0	1
TLPB030236			3	2517	60	2 1/2"	63	-	45	18.0	2
TLPB040236			4	3020	75	3"	82	-	51	31.0	2
TLPB050236			5	3020	75	3"	101	-	51	50.0	2
TLPB060236			6	3020	75	3"	120	-	51	69.0	2
TLPB080236			8	3535	90	3 1/2"	158	34.5	89	34.5	3
TLPB100236			10	3535	90	3 1/2"	196	53.5	89	53.5	3
TLPB010250	250	257	1	2012	50	2"	25	-	32	7.0	1
TLPB020250			2	2517	60	2 1/2"	44	-	45	1.0	8
TLPB030250			3	3020	75	3"	63	-	51	12.0	2
TLPB040250			4	3020	75	3"	82	-	51	31.0	2
TLPB050250			5	3020	75	3"	101	-	51	50.0	2
TLPB060250			6	3020	75	3"	120	-	51	69.0	2
TLPB080250			8	3535	90	3 1/2"	158	34.5	89	34.5	3
TLPB100250			10	3535	90	3 1/2"	196	53.5	89	53.5	3
TLPB010265	265	272	1	2012	50	2"	25	-	32	7.0	1
TLPB020265			2	2517	60	2 1/2"	44	-	45	1.0	8
TLPB030265			3	3020	75	3"	63	6.0	51	6.0	7
TLPB040265			4	3020	75	3"	82	15.5	51	15.5	7
TLPB050265			5	3535	90	3 1/2"	101	6.0	89	6.0	7
TLPB060265			6	3535	90	3 1/2"	120	15.5	89	15.5	7
TLPB080265			8	3535	90	3 1/2"	158	34.5	89	34.5	7
TLPB100265			10	3535	90	3 1/2"	196	53.5	89	53.5	7
TLPB010280	280	287	1	2012	50	2"	25	-	32	7.0	1
TLPB020280			2	2517	60	2 1/2"	44	-	45	1.0	8
TLPB030280			3	3020	75	3"	63	6.0	51	6.0	7
TLPB040280			4	3020	75	3"	82	15.5	51	15.5	7
TLPB050280			5	3535	90	3 1/2"	101	6.0	89	6.0	7
TLPB060280			6	3535	90	3 1/2"	120	15.5	89	15.5	7
TLPB080280			8	3535	90	3 1/2"	158	34.5	89	34.5	7
TLPB100280			10	3535	90	3 1/2"	196	53.5	89	53.5	7
TLPB010300	300	307	1	2012	50	2"	25	-	32	7.0	1
TLPB020300			2	2517	60	2 1/2"	44	-	45	1.0	8
TLPB030300			3	3020	75	3"	63	6.0	51	6.0	7
TLPB040300			4	3535	90	3 1/2"	82	-	51	-	8
TLPB050300			5	3535	90	3 1/2"	101	6.0	89	6.0	7
TLPB060300			6	3535	90	3 1/2"	120	15.5	89	15.5	7
TLPB080300			8	3535	90	3 1/2"	158	34.5	89	34.5	7
TLPB100300			10	3535	90	3 1/2"	196	53.5	89	53.5	7
TLPB010315	315	322	1	2012	50	2"	25	-	32	7.0	1
TLPB020315			2	2517	60	2 1/2"	44	-	45	1.0	8
TLPB030315			3	3020	75	3"	63	6.0	51	6.0	7
TLPB040315			4	3535	90	3 1/2"	82	3.5	51	3.5	8

Pulleys for use with "B" & "SPB" Section Belts

Product Code	Pitch Diameter (PD) (mm)	Outer Diameter (OD) (mm)	Number of grooves	Bush Number	Bush Max. Bore		F	K	L	M	Pulley Type
					Metric (mm)	Imperial (Inches)					
TLPB050315	315	322	5	3535	90	3 1/2"	101	6.0	89	6.0	7
TLPB060315			6	3535	90	3 1/2"	120	15.5	89	15.5	7
TLPB080315			8	3535	90	3 1/2"	158	34.5	89	35.0	7
TLPB100315			10	3535	90	3 1/2"	196	53.5	89	53.5	7
TLPB020335	335	342	2	2517	60	2 1/2"	44	-	45	1.0	8
TLPB030335			3	3020	75	3"	63	6.0	51	6.0	7
TLPB040335			4	3535	90	3 1/2"	82	3.5	51	3.5	8
TLPB050335			5	3535	90	3 1/2"	101	3.5	89	6.0	7
TLPB060335			6	3535	90	3 1/2"	120	15.5	89	15.5	7
TLPB080335			8	3535	90	3 1/2"	158	34.5	89	34.5	7
TLPB100335			10	4040	100	4"	196	53.5	89	47.0	7
TLPB020355	355	362	2	3020	75	3"	44	3.5	51	3.5	4
TLPB030355			3	3020	75	3"	63	6.0	51	6.0	5
TLPB040355			4	3535	90	3 1/2"	82	3.5	89	3.5	8
TLPB050355			5	3535	90	3 1/2"	101	6.0	89	6.0	7
TLPB060355			6	3535	90	3 1/2"	120	15.5	89	15.5	7
TLPB080355			8	3535	90	3 1/2"	158	34.5	89	34.5	7
TLPB100355			10	4040	100	4"	196	47.0	102	47.0	7
TLPB020375	375	382	2	3020	75	3"	44	3.5	51	3.5	4
TLPB030375			3	3535	90	3 1/2"	63	13.0	89	13.0	4
TLPB040375			4	3535	90	3 1/2"	82	3.5	89	3.5	4
TLPB050375			5	3535	90	3 1/2"	101	6.0	89	6.0	5
TLPB060375			6	3535	90	3 1/2"	120	15.5	89	15.5	5
TLPB080375			8	4040	100	4"	158	28.0	102	28.0	5
TLPB100375			10	4040	100	4"	196	47.0	102	47.0	5
TLPB020400	400	407	2	3020	75	3"	44	3.5	51	3.5	4
TLPB030400			3	3535	90	3 1/2"	63	13.0	89	13.0	4
TLPB040400			4	3535	90	3 1/2"	82	3.5	89	3.5	4
TLPB050400			5	3535	90	3 1/2"	101	6.0	89	6.0	5
TLPB060400			6	3535	90	3 1/2"	120	15.5	89	15.5	5
TLPB080400			8	4040	100	4"	158	28.0	102	28.0	5
TLPB100400			10	4040	100	4"	196	47.0	102	47.0	5
TLPB020425	425	432	2	3020	75	3"	44	3.5	51	3.5	4
TLPB030425			3	3535	90	3 1/2"	63	13.0	89	13.0	4
TLPB040425			4	3535	90	3 1/2"	82	3.5	89	3.5	4
TLPB050425			5	3535	90	3 1/2"	101	6.0	89	6.0	5
TLPB060425			6	3535	90	3 1/2"	120	15.5	89	15.5	5
TLPB080425			8	4040	100	4"	158	28.0	102	28.0	5
TLPB100425			10	4040	100	4"	196	47.0	102	47.0	5
TLPB020450	450	457	2	3020	75	3"	44	3.5	51	3.5	4
TLPB030450			3	3535	90	3 1/2"	63	13.0	89	13.0	4
TLPB040450			4	3535	90	3 1/2"	82	3.5	89	3.5	4
TLPB050450			5	3535	90	3 1/2"	101	6.0	89	6.0	5
TLPB060450			6	4040	100	4"	120	9.0	102	9.0	5
TLPB080450			8	4545	110	4 1/2"	158	22.0	114	22.0	5
TLPB100450			10	4545	110	4 1/2"	196	41.0	114	41.0	5
TLPB020475	475	482	2	3020	75	3"	44	3.5	51	3.5	4
TLPB030475			3	3535	90	3 1/2"	63	13.0	89	13.0	4

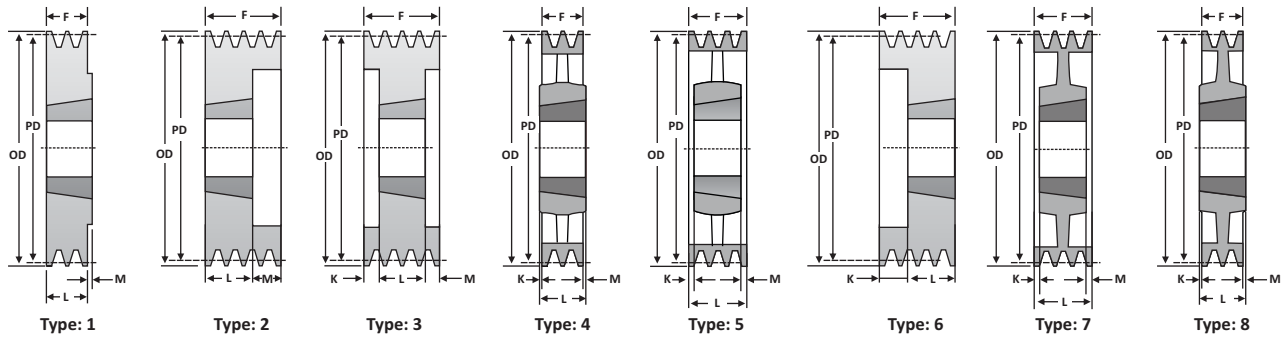
Pulleys for use with "B" & "SPB" Section Belts

Product Code	Pitch Diameter (PD) (mm)	Outer Diameter (OD) (mm)	Number of grooves	Bush Number	Bush Max. Bore		F	K	L	M	Pulley Type
					Metric (mm)	Imperial (Inches)					
TLPB040475	475	482	4	3535	90	3 1/2"	82	3.5	89	3.5	4
TLPB050475			5	3535	90	3 1/2"	101	6.0	89	6.0	5
TLPB060475			6	4040	100	4"	120	9.0	102	9.0	5
TLPB080475			8	4545	110	4 1/2"	158	22.0	114	22.0	5
TLPB100475			10	4545	110	4 1/2"	196	41.0	114	41.0	5
TLPB020500	500	507	2	3020	75	3"	44	3.5	51	3.5	4
TLPB030500			3	3535	90	3 1/2"	63	13.0	89	13.0	4
TLPB040500			4	3535	90	3 1/2"	82	3.5	89	3.5	4
TLPB050500			5	3535	90	3 1/2"	101	6.0	89	6.0	5
TLPB060500			6	4040	100	4"	120	9.0	102	9.0	5
TLPB080500			8	4545	110	4 1/2"	158	22.0	114	22.0	5
TLPB100500			10	4545	110	4 1/2"	196	41.0	114	41.0	5
TLPB020530	530	537	2	3020	75	3"	44	3.5	51	3.5	4
TLPB030530			3	3535	90	3 1/2"	63	13.0	89	13.0	4
TLPB040530			4	3535	90	3 1/2"	82	3.5	89	3.5	4
TLPB050530			5	4040	100	4"	101	0.5	102	0.5	4
TLPB060530			6	4040	100	4"	120	9.0	102	9.0	5
TLPB080530			8	4545	110	4 1/2"	158	22.0	114	22.0	5
TLPB100530			10	4545	110	4 1/2"	196	41.0	114	41.0	5
TLPB020560	560	567	2	3020	75	3"	44	3.5	51	3.5	4
TLPB030560			3	3535	90	3 1/2"	63	13.0	89	13.0	4
TLPB040560			4	3535	90	3 1/2"	82	3.5	89	3.5	4
TLPB050560			5	4040	100	4"	101	0.5	102	0.5	4
TLPB060560			6	4040	100	4"	120	9.0	102	9.0	5
TLPB080560			8	4545	110	4 1/2"	158	22.0	114	22.0	5
TLPB100560			10	4545	110	4 1/2"	196	41.0	114	41.0	5
TLPB020600	600	607	2	3020	75	3"	44	3.5	51	3.5	4
TLPB030600			3	3535	90	3 1/2"	63	13.0	89	13.0	4
TLPB040600			4	3535	90	3 1/2"	82	3.5	89	3.5	4
TLPB050600			5	4040	100	4"	101	0.5	102	0.5	4
TLPB060600			6	4040	100	4"	120	9.0	102	9.0	5
TLPB080600			8	4545	110	4 1/2"	158	22.0	114	22.0	5
TLPB100600			10	4545	110	4 1/2"	196	41.0	114	41.0	5
TLPB020630	630	637	2	3030	75	3"	44	16.0	76	16.0	4
TLPB030630			3	3535	90	3 1/2"	63	13.0	89	13.0	4
TLPB040630			4	3535	90	3 1/2"	82	3.5	89	3.5	4
TLPB050630			5	4040	100	4"	101	0.5	102	0.5	4
TLPB060630			6	4040	100	4"	120	9.0	102	9.0	5
TLPB080630			8	4545	110	4 1/2"	158	22.0	114	22.0	5
TLPB100630			10	4545	110	4 1/2"	196	41.0	114	41.0	5
TLPB020710	710	717	2	3030	75	3"	44	16.0	76	16.0	4
TLPB030710			3	3535	90	3 1/2"	63	13.0	89	13.0	4
TLPB040710			4	3535	90	3 1/2"	82	3.5	89	3.5	4
TLPB050710			5	4040	100	4"	101	0.5	102	0.5	4
TLPB060710			6	4545	110	4 1/2"	120	3.0	114	3.0	5
TLPB080710			8	4545	110	4 1/2"	158	22.0	114	22.0	5
TLPB100710			10	4545	110	4 1/2"	196	41.0	114	41.0	5
TLPB020762	762	769	2	3030	75	3"	44	16.0	76	16.0	4

Pulleys for use with "B" & "SPB" Section Belts

Product Code	Pitch Diameter (PD) (mm)	Outer Diameter (OD) (mm)	Number of grooves	Bush Number	Bush Max. Bore		F	K	L	M	Pulley Type
					Metric (mm)	Imperial (Inches)					
TLPB030762	762	769	3	3535	90	3 1/2"	63	13.0	89	13.0	4
TLPB040762			4	4040	100	4"	82	10.0	102	10.0	4
TLPB050762			5	4040	100	4"	101	0.5	102	0.5	4
TLPB060762			6	4545	110	4 1/2"	120	3.0	114	3.0	5
TLPB080762			8	4545	110	4 1/2"	158	22.0	114	22.0	5
TLPB100762			10	4545	110	4 1/2"	196	41.0	114	41.0	5
TLPB020800	800	807	2	3030	75	3"	44	16.0	76	16.0	4
TLPB030800			3	3535	90	3 1/2"	63	13.0	89	13.0	4
TLPB040800			4	4040	100	4"	82	10.0	102	10.0	4
TLPB050800			5	4040	100	4"	101	0.5	102	0.5	4
TLPB060800			6	4545	110	4 1/2"	120	3.0	114	3.0	5
TLPB080800			8	4545	110	4 1/2"	158	22.0	114	22.0	5
TLPB100800	10	4545	110	4 1/2"	196	41.0	114	41.0	5		
TLPB030900	900	907	3	3535	90	3 1/2"	63	13.0	89	13.0	4
TLPB040900			4	4040	100	4"	82	10.0	102	10.0	4
TLPB050900			5	4545	110	4 1/2"	101	6.5	114	6.5	4
TLPB060900			6	4545	110	4 1/2"	120	3.0	114	3.0	5
TLPB080900			8	4545	110	4 1/2"	158	22.0	114	22.0	5
TLPB100900			10	5050	125	5"	196	34.5	127	34.5	5
TLPB031000	1000	1007	3	4040	100	4"	63	19.5	102	19.5	4
TLPB041000			4	4040	100	4"	82	10.0	102	10.0	4
TLPB051000			5	4545	110	4 1/2"	101	6.5	114	6.5	4
TLPB061000			6	4545	110	4 1/2"	120	3.0	127	3.0	5
TLPB081000			8	5050	125	5"	158	15.5	127	15.5	5
TLPB101000			10	5050	125	5"	196	34.5	127	34.5	5
TLPB031250	1250	1257	3	4040	100	4"	63	19.5	102	19.5	4
TLPB041250			4	4040	100	4"	82	10.0	102	10.0	4
TLPB051250			5	4545	110	4 1/2"	101	6.5	114	6.5	4
TLPB061250			6	5050	125	5"	120	3.0	127	3.0	5
TLPB081250			8	5050	125	5"	158	15.5	127	15.5	5
TLPB101250			10	5050	125	5"	196	34.5	127	34.5	5

Pulleys for use with "C" & "SPC" Section Belts



Product Code	Pitch Diameter (PD) (mm)	Outer Diameter (OD) (mm)	Number of grooves	Bush Number	Bush Max. Bore		F	K	L	M	Pulley Type		
					Metric (mm)	Imperial (Inches)							
TLPC030200	200	209.6	3	2517	60	2 1/2"	85	20.0	45	20.0	2		
TLPC040200			4	3020	75	3"	111	30.0	51	30.0	3		
TLPC050200			5	3535	90	3 1/2"	136	16.0	89	31.0	3		
TLPC060200			6	3535	90	3 1/2"	162	16.0	89	57.0	3		
TLPC070200			7	3535	90	3 1/2"	187	36.0	89	62.0	3		
TLPC080200			8	3535	90	3 1/2"	213	46.0	89	78.0	3		
TLPC030212			212	221.6	3	3020	75	3"	85	17.0	51	17.0	2
TLPC040212					4	3020	75	3"	111	30.0	51	30.0	3
TLPC050212	5	3535			90	3 1/2"	136	16.0	89	31.0	3		
TLPC060212	6	3535			90	3 1/2"	162	36.5	89	36.5	3		
TLPC070212	7	3535			90	3 1/2"	187	36.0	89	62.0	3		
TLPC080212	8	3535			90	3 1/2"	213	46.0	89	78.0	3		
TLPC030224	224	233.6	3	3020	75	3"	85	17.0	51	17.0	2		
TLPC040224			4	3535	90	3 1/2"	111	11.0	89	11.0	3		
TLPC050224			5	3535	90	3 1/2"	136	23.5	89	23.5	3		
TLPC060224			6	3535	90	3 1/2"	162	36.5	89	36.5	3		
TLPC070224			7	3535	90	3 1/2"	187	36.0	89	62.0	3		
TLPC080224			8	3535	90	3 1/2"	213	46.0	89	78.0	3		
TLPC030236	236	245.6	3	3020	75	3"	85	17.0	51	17.0	2		
TLPC040236			4	3535	90	3 1/2"	111	11.0	89	11.0	3		
TLPC050236			5	3535	90	3 1/2"	136	23.5	89	23.5	3		
TLPC060236			6	3535	90	3 1/2"	162	36.5	89	36.5	3		
TLPC070236			7	3535	90	3 1/2"	187	36.0	89	62.0	3		
TLPC080236			8	3535	90	3 1/2"	213	46.0	89	78.0	3		
TLPC030250	250	259.6	3	3020	75	3"	85	17.0	51	17.0	2		
TLPC040250			4	3535	90	3 1/2"	111	11.0	89	11.0	3		
TLPC050250			5	3535	90	3 1/2"	136	23.5	89	23.5	3		
TLPC060250			6	3535	90	3 1/2"	162	36.5	89	36.5	3		
TLPC070250			7	3535	90	3 1/2"	187	36.0	89	62.0	3		
TLPC080250			8	3535	90	3 1/2"	213	62.0	89	62.0	3		
TLPC100250			10	4040	100	4"	264	81.0	102	81.0	3		
TLPC030265	265	274.6	3	3535	90	3 1/2"	89	-	85	4.0	7		
TLPC040265			4	3535	90	3 1/2"	111	11.0	89	11.0	3		
TLPC050265			5	3535	90	3 1/2"	136	23.5	89	23.5	3		
TLPC060265			6	3535	90	3 1/2"	162	36.5	89	36.5	3		
TLPC070265			7	3535	90	3 1/2"	187	36.0	89	62.0	3		
TLPC080265			8	3535	90	3 1/2"	213	62.0	89	62.0	3		
TLPC100265			10	4040	100	4"	264	81.0	102	81.0	3		

Pulleys for use with "C" & "SPC" Section Belts

Product Code	Pitch Diameter (PD) (mm)	Outer Diameter (OD) (mm)	Number of grooves	Bush Number	Bush Max. Bore		F	K	L	M	Pulley Type
					Metric (mm)	Imperial (Inches)					
TLPC030280	280	289.6	3	3535	90	3 1/2"	89	-	85	4.0	7
TLPC040280			4	3535	90	3 1/2"	111	11.0	89	11.0	3
TLPC050280			5	3535	90	3 1/2"	136	23.5	89	23.5	3
TLPC060280			6	3535	90	3 1/2"	162	36.5	89	36.5	3
TLPC070280			7	3535	90	3 1/2"	187	36.0	89	62.0	3
TLPC080280			8	3535	90	3 1/2"	213	62.0	89	62.0	3
TLPC100280			10	4040	100	4"	264	81.0	102	81.0	3
TLPC030300	300	309.6	3	3535	90	3 1/2"	85	2.0	89	2.0	8
TLPC040300			4	3535	90	3 1/2"	111	11.0	89	11.0	7
TLPC050300			5	3535	90	3 1/2"	136	23.5	89	23.5	7
TLPC060300			6	3535	90	3 1/2"	162	36.5	89	36.5	7
TLPC070300			7	3535	90	3 1/2"	187	49.0	89	49.0	7
TLPC080300			8	4040	100	4"	213	55.5	102	55.5	3
TLPC100300			10	4545	110	4 1/2"	264	75.0	114	75.0	3
TLPC030315	315	324.6	3	3535	90	3 1/2"	85	2.0	89	2.0	8
TLPC040315			4	3535	90	3 1/2"	111	11.0	89	11.0	7
TLPC050315			5	3535	90	3 1/2"	136	23.5	89	23.5	7
TLPC060315			6	3535	90	3 1/2"	162	36.5	89	36.5	7
TLPC070315			7	3535	90	3 1/2"	187	49.0	89	49.0	7
TLPC080315			8	4040	100	4"	213	55.5	102	55.5	3
TLPC100315			10	4545	110	4 1/2"	264	75.0	114	75.0	3
TLPC030335	335	344.6	3	3535	90	3 1/2"	85	2.0	89	2.0	8
TLPC040335			4	3535	90	3 1/2"	111	11.0	89	11.0	7
TLPC050335			5	3535	90	3 1/2"	136	23.5	89	23.5	7
TLPC060335			6	3535	90	3 1/2"	162	36.5	89	36.5	7
TLPC070335			7	3535	90	3 1/2"	187	49.0	89	49.0	7
TLPC080335			8	4040	100	4"	213	55.5	102	55.5	3
TLPC100335			10	4545	110	4 1/2"	264	75.0	114	75.0	3
TLPC030355	355	364.6	3	3535	90	3 1/2"	85	2.0	89	2.0	8
TLPC040355			4	3535	90	3 1/2"	111	11.0	89	11.0	7
TLPC050355			5	3535	90	3 1/2"	136	23.5	89	23.5	7
TLPC060355			6	3535	90	3 1/2"	162	36.5	89	36.5	7
TLPC070355			7	4040	100	4"	187	42.5	102	42.5	7
TLPC080355			8	4040	100	4"	213	55.5	102	55.5	7
TLPC100355			10	4545	110	4 1/2"	264	75.0	114	75.0	7
TLPC030375	375	384.6	3	3535	90	3 1/2"	85	2.0	89	2.0	8
TLPC040375			4	3535	90	3 1/2"	111	11.0	89	11.0	7
TLPC050375			5	3535	90	3 1/2"	136	23.5	89	23.5	7
TLPC060375			6	4040	100	4"	162	30.0	102	30.0	7
TLPC070375			7	4040	100	4"	187	42.5	102	42.5	7
TLPC080375			8	4545	110	4 1/2"	213	49.5	114	49.5	7
TLPC100375			10	4545	110	4 1/2"	264	75.0	114	75.0	7
TLPC030400	400	409.6	3	3535	90	3 1/2"	85	2.0	89	2.0	4
TLPC040400			4	3535	90	3 1/2"	111	11.0	89	11.0	5
TLPC050400			5	3535	90	3 1/2"	136	23.5	89	23.5	5
TLPC060400			6	4040	100	4"	162	30.0	102	30.0	7
TLPC070400			7	4545	110	4 1/2"	187	36.5	114	36.5	7
TLPC080400			8	4545	110	4 1/2"	213	49.5	114	49.5	7
TLPC100400			10	5050	125	5"	264	68.5	127	68.5	7

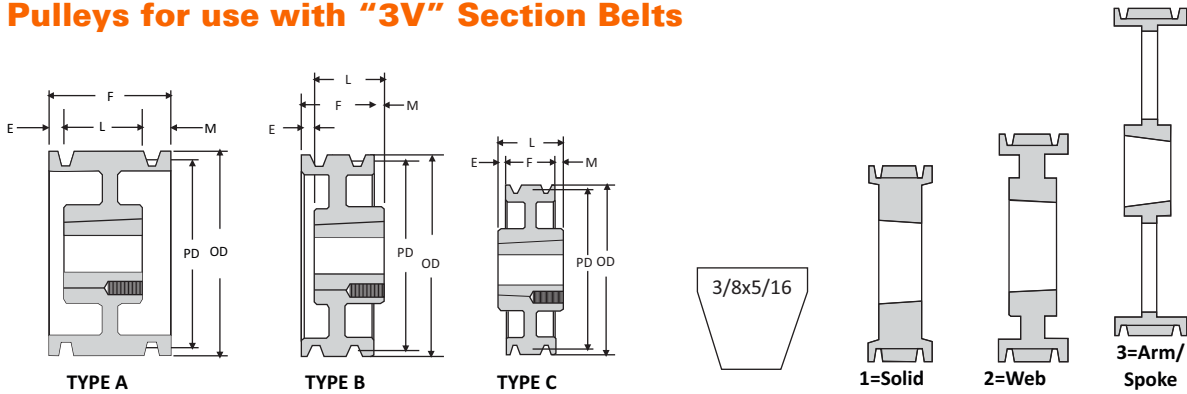
Pulleys for use with "C" & "SPC" Section Belts

Product Code	Pitch Diameter (PD) (mm)	Outer Diameter (OD) (mm)	Number of grooves	Bush Number	Bush Max. Bore		F	K	L	M	Pulley Type
					Metric (mm)	Imperial (Inches)					
TLPC030425	425	434.6	3	3535	90	3 1/2"	85	2.0	89	2.0	4
TLPC040425			4	3535	90	3 1/2"	111	11.0	89	11.0	5
TLPC050425			5	4040	100	4"	136	17.0	102	17.0	7
TLPC060425			6	4545	110	4 1/2"	162	24.0	114	24.0	7
TLPC070425			7	4545	110	4 1/2"	187	36.5	114	36.5	7
TLPC080425			8	5050	125	5"	213	43.0	127	43.0	7
TLPC100425			10	5050	125	5"	264	68.5	127	68.5	7
TLPC030450			450	459.6	3	3535	90	3 1/2"	85	2.0	89
TLPC040450	4	3535			90	3 1/2"	111	11.0	89	11.0	5
TLPC050450	5	4040			100	4"	136	17.0	102	17.0	5
TLPC060450	6	4545			110	4 1/2"	162	24.0	114	24.0	7
TLPC070450	7	5050			125	5"	187	30.0	127	30.0	7
TLPC080450	8	5050			125	5"	213	43.0	127	43.0	7
TLPC100450	10	5050			125	5"	264	68.5	127	68.5	7
TLPC030475	475	484.6			3	3535	90	3 1/2"	85	2.0	89
TLPC040475			4	3535	90	3 1/2"	111	11.0	89	11.0	5
TLPC050475			5	4040	100	4"	136	17.0	102	17.0	5
TLPC060475			6	4545	110	4 1/2"	162	24.0	114	24.0	7
TLPC070475			7	5050	125	5"	187	30.0	127	30.0	7
TLPC080475			8	5050	125	5"	213	43.0	127	43.0	7
TLPC100475			10	5050	125	5"	264	68.5	127	68.5	7
TLPC030500			500	509.6	3	3535	90	3 1/2"	85	2.0	89
TLPC040500	4	3535			90	3 1/2"	111	11.0	89	11.0	5
TLPC050500	5	4040			100	4"	136	17.0	102	17.0	5
TLPC060500	6	4545			110	4 1/2"	162	24.0	114	24.0	5
TLPC070500	7	5050			125	5"	187	30.0	127	30.0	7
TLPC080500	8	5050			125	5"	213	43.0	127	43.0	7
TLPC100500	10	5050			125	5"	264	68.5	127	68.5	7
TLPC030530	530	539.6			3	3535	90	3 1/2"	85	2.0	89
TLPC040530			4	4040	100	4"	111	4.5	102	4.5	5
TLPC050530			5	4545	110	4 1/2"	136	11.0	114	11.0	5
TLPC060530			6	5050	125	5"	162	17.5	127	17.5	5
TLPC070530			7	5050	125	5"	187	30.0	127	30.0	7
TLPC080530			8	5050	125	5"	213	43.0	127	43.0	7
TLPC100530			10	5050	125	5"	264	68.5	127	68.5	7
TLPC030560			560	569.6	3	3535	90	3 1/2"	85	2.0	89
TLPC040560	4	4040			100	4"	111	4.5	102	4.5	5
TLPC050560	5	4545			110	4 1/2"	136	11.0	114	11.0	5
TLPC060560	6	5050			125	5"	162	17.5	127	17.5	5
TLPC070560	7	5050			125	5"	187	30.0	127	30.0	5
TLPC080560	8	5050			125	5"	213	43.0	127	43.0	5
TLPC100560	10	5050			125	5"	264	68.5	127	68.5	5
TLPC030600	600	609.6			3	4040	100	4"	85	8.5	102
TLPC040600			4	4545	110	4 1/2"	111	1.5	114	1.5	4
TLPC050600			5	4545	110	4 1/2"	136	4.5	114	4.5	4
TLPC060600			6	5050	125	5"	162	17.5	127	17.5	5
TLPC070600			7	5050	125	5"	187	30.0	127	30.0	5

Pulleys for use with "C" & "SPC" Section Belts

Product Code	Pitch Diameter (PD) (mm)	Outer Diameter (OD) (mm)	Number of grooves	Bush Number	Bush Max. Bore		F	K	L	M	Pulley Type
					Metric (mm)	Imperial (Inches)					
TLPC080600	600	609.6	8	5050	125	5"	213	43.0	127	43.0	5
TLPC100600			10	5050	125	5"	264	68.5	127	68.5	5
TLPC030630	630	639.6	3	4545	110	4 1/2"	85	14.5	114	14.5	4
TLPC040630			4	4545	110	4 1/2"	111	1.5	114	1.5	4
TLPC050630			5	5050	125	5"	136	4.5	127	4.5	5
TLPC060630			6	5050	125	5"	162	17.5	127	17.5	5
TLPC070630			7	5050	125	5"	187	30.0	127	30.0	5
TLPC080630			8	5050	125	5"	213	43.0	127	43.0	5
TLPC100630			10	5050	125	5"	264	68.5	127	68.5	5
TLPC030710			710	719.6	3	4545	110	4 1/2"	85	14.5	114
TLPC040710	4	4545			110	4 1/2"	111	1.5	114	1.5	4
TLPC050710	5	5050			125	5"	136	4.5	127	4.5	5
TLPC060710	6	5050			125	5"	162	17.5	127	17.5	5
TLPC070710	7	5050			125	5"	187	30.0	127	30.0	5
TLPC080710	8	5050			125	5"	213	43.0	127	43.0	5
TLPC100710	10	5050			125	5"	264	68.5	127	68.5	5
TLPC030800	800	809.6			3	5050	125	5"	85	2.0	89
TLPC040800			4	5050	125	5"	102	4.5	111	4.5	4
TLPC050800			5	5050	125	5"	136	17.0	102	17.0	5
TLPC060800			6	5050	125	5"	162	17.5	127	17.5	5
TLPC070800			7	5050	125	5"	187	30.0	127	30.0	5
TLPC080800			8	5050	125	5"	213	43.0	127	43.0	5
TLPC031000	1000	1009.6	3	5050	125	5"	85	8.5	102	8.5	4
TLPC041000			4	5050	125	5"	111	8	127	8	4
TLPC051000			5	5050	125	5"	136	4.5	127	4.5	5
TLPC061000			6	5050	125	5"	162	17.5	127	17.5	5
TLPC071000			7	5050	125	5"	187	30.0	127	30.0	5
TLPC081000			8	5050	125	5"	213	43	127	43	5
TLPC031250	1250	1259.6	3	5050	125	5"	85	8.5	102	8.5	4
TLPC041250			4	5050	125	5"	111	4.5	127	4.5	4
TLPC051250			5	5050	125	5"	136	17.5	127	17.5	5
TLPC061250			6	5050	125	5"	162	30.0	127	30.0	5
TLPC071250			7	5050	125	5"	187	43	127	43	5
TLPC081250			8	5050	125	5"	213	43	127	43	5

Pulleys for use with "3V" Section Belts



Product Code	Pitch Diameter (PD) (Inches)	Outer Diameter (OD) (Inches)	Number of grooves	Bush Number	Bush Max. Bore		E	L	M	F	Pulley Type
					Imperial (Inches)	Metric (mm)					
1 3V 265 TB	2.60	2.65	1	1108	1-1/8	28	3/16	11/16	-	7/8	A-1
2 3V 265 TB			2	1108	1-1/8	28	7/32	7/8	-	1-3/32	A-1
3 3V 265 TB			3	1108	1-1/8	28	5/8	7/8	-	1-1/2	A-1
4 3V 265 TB			4	1108	1-1/8	28	1-1/32	7/8	-	1-29/32	A-1
1 3V 280 TB	2.75	2.80	1	1108	1-1/8	28	3/16	11/16	-	7/8	A-1
2 3V 280 TB			2	1108	1-1/8	28	7/32	7/8	-	1-3/32	A-1
3 3V 280 TB			3	1108	1-1/8	28	5/8	7/8	-	1-1/2	A-1
4 3V 280 TB			4	1108	1-1/8	28	1-1/32	7/8	-	1-29/32	A-1
1 3V 300 TB	2.95	3.00	1	1108	1-1/8	28	3/16	11/16	-	7/8	A-1
2 3V 300 TB			2	1210	1-1/4	32	3/32	1	-	1-3/32	A-1
3 3V 300 TB			3	1210	1-1/4	32	1/2	1	-	1-1/2	A-1
4 3V 300 TB			4	1210	1-1/4	32	29/32	1	-	1-29/32	A-1
1 3V 315 TB	3.10	3.15	1	1108	1-1/8	28	3/16	11/16	-	7/8	A-1
2 3V 315 TB			2	1210	1-1/4	32	3/32	1	-	1-3/32	A-1
3 3V 315 TB			3	1210	1-1/4	32	1/2	1	-	1-1/2	A-1
4 3V 315 TB			4	1210	1-1/4	32	29/32	1	-	1-29/32	A-1
1 3V 335 TB	3.30	3.35	1	1610	1-5/8	42	5/16	1	-	11/16	A-1
2 3V 335 TB			2	1610	1-5/8	42	3/32	1	-	1-3/32	A-1
3 3V 335 TB			3	1610	1-5/8	42	1/2	1	-	1-1/2	A-1
4 3V 335 TB			4	1610	1-5/8	42	29/32	1	-	1-29/32	A-1
1 3V 365 TB	3.60	3.65	1	1610	1-5/8	42	5/16	1	-	11/16	A-1
2 3V 365 TB			2	1610	1-5/8	42	3/32	1	-	1-3/32	A-1
3 3V 365 TB			3	1610	1-5/8	42	1/2	1	-	1-1/2	A-1
4 3V 365 TB			4	1610	1-5/8	42	29/32	1	-	1-29/32	A-1
1 3V 412 TB	4.07	4.12	1	1610	1-5/8	42	-	11/16	5/16	1	B-1
2 3V 412 TB			2	1610	1-5/8	42	3/32	1	-	1-3/32	A-1
3 3V 412 TB			3	1610	1-5/8	42	1/2	1	-	1-1/2	A-1
4 3V 412 TB			4	1610	1-5/8	42	29/32	1	-	1-29/32	A-1
1 3V 450 TB	4.45	4.50	1	1610	1-5/8	42	-	11/16	5/16	1	B-1
2 3V 450 TB			2	1610	1-5/8	42	3/32	1	-	1-3/32	A-1
3 3V 450 TB			3	1610	1-5/8	42	1/2	1	-	1-1/2	A-1
4 3V 450 TB			4	1610	1-5/8	42	29/32	1	-	1-29/32	A-1
5 3V 450 TB			5	1615	1-5/8	42	-	1-1/2	13/16	2-5/16	A-1
1 3V 475 TB	4.70	4.75	1	1610	1-5/8	42	-	11/16	5/16	1	B-1
2 3V 475 TB			2	1610	1-5/8	42	3/32	1	-	1-3/32	A-1
3 3V 475 TB			3	1610	1-5/8	42	1/2	1	-	1-1/2	A-1
4 3V 475 TB			4	1610	1-5/8	42	29/32	1	-	1-29/32	A-1

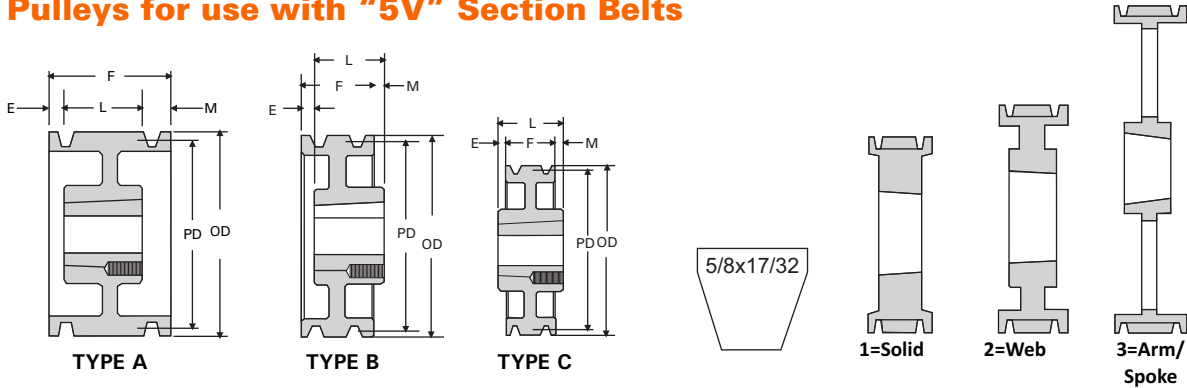
Pulleys for use with "3V" Section Belts

Product Code	Pitch Diameter (PD) (Inches)	Outer Diameter (OD) (Inches)	Number of grooves	Bush Number	Bush Max. Bore		E	L	M	F	Pulley Type
					Imperial (Inches)	Metric (mm)					
5 3V 475 TB	4.70	4.75	5	2517	2-1/2	60	9/16	1-3/4	0	2-5/16	A-1
6 3V 475 TB			6	2517	2-1/2	60	31/32	1-3/4	0	2-23/32	A-1
8 3V 475 TB			8	2517	2-1/2	60	1-25/32	1-3/4	0	3-17/32	A-1
10 3V 475 TB			10	2517	2-1/2	60	2-29/32	1-3/4	0	4-11/32	A-1
1 3V 500 TB	4.95	5.00	1	1610	1-5/8	42	0	11/16	5/16	1	B-1
2 3V 500 TB			2	1610	1-5/8	42	3/32	1	0	1-3/32	A-1
3 3V 500 TB			3	1610	1-5/8	42	1/2	1	0	1-1/2	A-1
4 3V 500 TB			4	1610	1-5/8	42	29/32	1	0	1-29/32	A-1
5 3V 500 TB			5	2517	2-1/2	60	9/16	1-3/4	0	2-5/16	A-1
6 3V 500 TB			6	2517	2-1/2	60	31/32	1-3/4	0	2-23/32	A-1
8 3V 500 TB			8	2517	2-1/2	60	1-25/32	1-3/4	0	3-17/32	A-1
10 3V 500 TB			10	2517	2-1/2	60	2-29/32	1-3/4	0	4-11/32	A-1
1 3V 530 TB	5.25	5.30	1	1610	1-5/8	42	0	11/16	5/16	1	B-1
2 3V 530 TB			2	1610	1-5/8	42	3/32	1	0	1-3/32	A-1
3 3V 530 TB			3	1610	1-5/8	42	1/2	1	0	1-1/2	A-1
4 3V 530 TB			4	1610	1-5/8	42	29/32	1	0	1-29/32	A-1
5 3V 530 TB			5	2517	2-1/2	60	9/16	1-3/4	0	2-5/16	A-1
6 3V 530 TB			6	2517	2-1/2	60	31/32	1-3/4	0	2-23/32	A-1
8 3V 530 TB			8	2517	2-1/2	60	1-1/32	1-3/4	3/4	3-17/32	A-1
10 3V 530 TB			10	2517	2-1/2	60	1-27/32	1-3/4	3/4	4-11/32	A-1
1 3V 560 TB	5.55	5.60	1	1610	1-5/8	42	0	11/16	5/16	1	B-1
2 3V 560 TB			2	1610	1-5/8	42	3/32	1	0	1-3/32	A-1
3 3V 560 TB			3	1610	1-5/8	42	1/2	1	0	1-1/2	A-1
4 3V 560 TB			4	1610	1-5/8	42	29/32	1	0	1-29/32	A-1
5 3V 560 TB			5	2517	2-1/2	60	9/16	1-3/4	0	2-5/16	A-1
6 3V 560 TB			6	2517	2-1/2	60	31/32	1-3/4	0	2-23/32	A-1
8 3V 560 TB			8	2517	2-1/2	60	1/4	1-3/4	1-17/32	3-17/32	A-1
10 3V 560 TB			10	2517	2-1/2	60	1/2	1-3/4	2-3/32	4-11/32	A-1
1 3V 600 TB	5.95	6.00	1	1610	1-5/8	42	0	11/16	5/16	1	B-1
2 3V 600 TB			2	1610	1-5/8	42	3/32	1	0	1-3/32	A-1
3 3V 600 TB			3	2517	2-1/2	60	5/32	1-3/4	13/32	1-1/2	B-1
4 3V 600 TB			4	2517	2-1/2	60	5/32	1-3/4	0	1-29/32	A-1
5 3V 600 TB			5	2517	2-1/2	60	9/16	1-3/4	0	2-5/16	A-1
6 3V 600 TB			6	2517	2-1/2	60	31/32	1-3/4	0	2-23/32	A-1
8 3V 600 TB			8	2517	2-1/2	60	1/4	1-3/4	1-17/32	3-17/32	A-1
10 3V 600 TB			10	2517	2-1/2	60	1/2	1-3/4	2-3/32	4-11/32	A-1
1 3V 650 TB	6.45	6.50	1	1610	1-5/8	42	0	11/16	5/16	1	B-1
2 3V 650 TB			2	1610	1-5/8	42	3/32	1	0	1-3/32	A-1
3 3V 650 TB			3	2517	2-1/2	60	5/32	1-1/2	13/32	1-3/4	B-1
4 3V 650 TB			4	2517	2-1/2	60	5/32	1-3/4	0	1-29/32	A-1
5 3V 650 TB			5	2517	2-1/2	60	9/16	1-3/4	0	2-5/16	A-1
6 3V 650 TB			6	2517	2-1/2	60	31/32	1-3/4	0	2-23/32	A-1
8 3V 650 TB			8	2517	2-1/2	60	1/4	1-3/4	1-17/32	3-17/32	A-1
10 3V 650 TB			10	2517	2-1/2	60	1/2	1-3/4	2-3/32	4-11/32	A-1
1 3V 690 TB	6.85	6.90	1	1610	1-5/8	42	0	11/16	5/16	11/16	B-1
2 3V 690 TB			2	1610	1-5/8	42	3/32	1	0	1-3/32	A-1
3 3V 690 TB			3	2517	2-1/2	60	5/32	1-1/2	13/32	1-3/4	B-1
4 3V 690 TB			4	2517	2-1/2	60	5/32	1-3/4	0	1-29/32	A-1

Pulleys for use with "3V" Section Belts

Product Code	Pitch Diameter (PD) (Inches)	Outer Diameter (OD) (Inches)	Number of grooves	Bush Number	Bush Max. Bore		E	L	M	F	Pulley Type		
					Imperial (Inches)	Metric (mm)							
5 3V 690 TB	6.85	6.90	5	2517	2-1/2	60	9/16	1-3/4	0	2-5/16	A-1		
6 3V 690 TB			6	2517	2-1/2	60	31/32	1-3/4	0	2-23/32	A-1		
8 3V 690 TB			8	2517	2-1/2	60	1/4	1-3/4	1-17/32	3-17/32	A-1		
10 3V 690 TB			10	2517	2-1/2	60	1/2	1-3/4	2-3/32	4-11/32	A-1		
1 3V 800 TB	7.95	8.00	1	2517	2-1/2	60	0	1-1/16	11/16	1-3/4	B-2		
2 3V 800 TB			2	2517	2-1/2	60	0	1-3/32	21/32	1-3/4	B-2		
3 3V 800 TB			3	2517	2-1/2	60	5/32	1-1/2	13/32	1-3/4	B-1		
4 3V 800 TB			4	2517	2-1/2	60	5/32	1-3/4	0	1-29/32	A-1		
5 3V 800 TB			5	2517	2-1/2	60	9/16	1-3/4	0	2-5/16	A-1		
6 3V 800 TB			6	2517	2-1/2	60	31/32	1-3/4	0	2-23/32	A-1		
8 3V 800 TB			8	3020	3	75	1/2	2	1-1/32	3-17/32	A-1		
10 3V 800 TB			10	3020	3	75	1/4	2	2-3/32	4-11/32	A-1		
1 3V 1060 TB			10.55	10.60	1	2517	2-1/2	60	0	1-1/16	11/16	1-3/4	B-2
2 3V 1060 TB					2	2517	2-1/2	60	0	1-3/32	21/32	1-3/4	B-2
3 3V 1060 TB	3	2517			2-1/2	60	0	1-1/2	1/4	1-3/4	B-2		
4 3V 1060 TB	4	2517			2-1/2	60	5/32	1-3/4	0	1-29/32	A-2		
5 3V 1060 TB	5	2517			2-1/2	60	9/16	1-3/4	0	2-5/16	A-2		
6 3V 1060 TB	6	2517			2-1/2	60	31/32	1-3/4	0	2-23/32	A-2		
8 3V 1060 TB	8	3020			3	75	1/2	2	1-1/32	3-17/32	A-2		
10 3V 1060 TB	10	3020			3	75	27/32	2	1-1/2	4-11/32	A-2		
1 3V 1400 TB	13.95	14.00			1	2517	2-1/2	60	0	15/16	13/16	1-3/4	B-3
2 3V 1400 TB					2	2517	2-1/2	60	0	1-3/32	21/32	1-3/4	B-3
3 3V 1400 TB			3	2517	2-1/2	60	0	1-1/2	1/4	1-3/4	B-3		
4 3V 1400 TB			4	2517	2-1/2	60	0	1-3/4	5/32	1-29/32	A-3		
5 3V 1400 TB			5	2517	2-1/2	60	0	1-3/4	9/16	2-5/16	A-3		
6 3V 1400 TB			6	2517	2-1/2	60	31/32	1-3/4	0	2-23/32	A-3		
8 3V 1400 TB			8	3020	3	75	21/32	2	7/8	3-17/32	A-3		
10 3V 1400 TB			10	3535	3-1/2	90	0	3-1/2	27/32	4-11/32	A-2		
1 3V 1900 TB			18.95	19.00	1	3020	3	75	0	13/16	1-3/16	2	B-3
2 3V 1900 TB					2	3020	3	75	0	1-3/32	29/32	2	B-3
3 3V 1900 TB	3	3020			3	75	0	1-1/2	1/2	2	B-3		
4 3V 1900 TB	4	3020			3	75	0	2	3/32	1-29/32	C-3		
5 3V 1900 TB	5	3020			3	75	0	2	5/16	2-5/16	A-3		
6 3V 1900 TB	6	3020			3	75	0	2	23/32	2-23/32	A-3		
8 3V 1900 TB	8	3535			3-1/2	90	0	3-1/2	1/32	3-17/32	A-3		
10 3V 1900 TB	10	3535			3-1/2	90	0	3-1/2	27/32	4-11/32	A-3		
2 3V 2500 TB	24.95	25.00			2	3020	3	75	1/8	2	25/32	1-3/32	C-3
3 3V 2500 TB					3	3020	3	75	0	2	1/2	1-1/2	B-3
4 3V 2500 TB			4	3020	3	75	0	2	3/32	1-29/32	C-3		
5 3V 2500 TB			5	3030	3	75	0	3	11/16	2-5/16	B-3		
6 3V 2500 TB			6	3030	3	75	0	3	9/32	2-23/32	B-3		
8 3V 2500 TB			8	3535	3-1/2	90	0	3-1/2	1/32	3-17/32	A-3		
10 3V 2500 TB			10	4040	4	100	0	4	11/32	4-11/32	A-3		
3 3V 3350 TB			33.45	33.50	3	3020	3	75	1/4	2	1/4	1-1/2	B-3
4 3V 3350 TB	4	3030			3	75	35/64	3	35/64	1-29/32	C-3		
5 3V 3350 TB	5	3030			3	75	11/32	3	11/32	2-5/16	C-3		
6 3V 3350 TB	6	3030			3	75	9/64	3	9/64	2-23/32	C-3		
8 3V 3350 TB	8	4040			4	100	15/64	4	15/64	3-17/32	C-3		
10 3V 3350 TB	10	4040			4	100	0	4	11/32	4-11/32	A-3		

Pulleys for use with "5V" Section Belts



Product Code	Pitch Diameter (PD) (Inches)	Outer Diameter (OD) (Inches)	Number of grooves	Bush Number	Bush Max. Bore		E	L	M	F	Pulley Type
					Imperial (Inches)	Metric (mm)					
2 5V 440 TB	4.30	4.40	2	1610	1-5/8	42	1/16	1	5/8	1-11/16	A-1
3 5V 440 TB			3	1610	1-5/8	42	1-3/8	1	0	2-3/8	A-1
3 5V 440 TB			4	1610	1-5/8	42	2-1/16	1	0	3-1/16	A-1
2 5V 465 TB	4.55	4.65	2	1610	1-5/8	42	1/16	1	5/8	1-11/16	A-1
3 5V 465 TB			3	1610	1-5/8	42	1/16	1	1-5/16	2-3/8	A-1
3 5V 465 TB			4	1610	1-5/8	42	2-1/16	1	0	3-1/16	A-1
2 5V 490 TB	4.80	4.90	2	1610	1-5/8	42	1/16	1	5/8	1-11/16	A-1
3 5V 490 TB			3	1610	1-5/8	42	1/16	1	1-5/16	2-3/8	A-1
4 5V 490 TB			4	1610	1-5/8	42	2-1/16	1	0	3-1/16	A-1
2 5V 520 TB	5.10	5.20	2	1610	1-5/8	42	1/16	1	5/8	1-11/16	A-1
3 5V 520 TB			3	1610	1-5/8	42	1/16	1	1-5/16	2-3/8	A-1
4 5V 520 TB			4	1610	1-5/8	42	2-1/16	1	0	3-1/16	A-1
2 5V 550 TB	5.40	5.50	2	1610	2-1/2	60	1/16	1	5/8	1-11/16	A-1
3 5V 550 TB			3	1610	2-1/2	60	1/16	1	1-5/16	2-3/8	A-1
4 5V 550 TB			4	2517	2-1/2	60	1-5/16	1-3/4	0	3-1/16	A-1
2 5V 590 TB	5.80	5.90	2	1610	1-5/8	42	1/16	1	5/8	1-11/16	A-1
3 5V 590 TB			3	2517	2-1/2	60	0	1-3/4	5/8	2-3/8	A-1
4 5V 590 TB			4	2517	2-1/2	60	1-5/16	1-3/4	0	3-1/16	A-1
5 5V 590 TB			5	2517	2-1/2	60	9/16	1-3/4	1-7/16	3-3/4	A-1
6 5V 590 TB			6	2517	2-1/2	60	1-1/8	1-3/4	1-9/16	4-7/16	A-1
2 5V 630 TB	6.20	6.30	2	1610	1-5/8	42	0	1	11/16	1-11/16	A-1
3 5V 630 TB			3	2517	2-1/2	60	0	1-3/4	5/8	2-3/8	A-1
4 5V 630 TB			4	2517	2-1/2	60	0	1-3/4	1-5/16	3-1/16	A-1
5 5V 630 TB			5	2517	2-1/2	60	9/16	1-3/4	1-7/16	3-3/4	A-1
6 5V 630 TB			6	2517	2-1/2	60	13/16	1-3/4	1-7/8	4-7/16	A-1
2 5V 670 TB	6.60	6.70	2	1610	1-5/8	42	0	1	11/16	1-11/16	A-1
3 5V 670 TB			3	2517	2-1/2	60	0	1-3/4	5/8	2-3/8	A-1
4 5V 670 TB			4	2517	2-1/2	60	0	1-3/4	1-5/16	3-1/16	A-1
5 5V 670 TB			5	2517	2-1/2	60	9/16	1-3/4	1-7/16	3-3/4	A-1
6 5V 670 TB			6	2517	2-1/2	60	13/16	1-3/4	1-7/8	4-7/16	A-1
2 5V 710 TB	7.00	7.10	2	2517	2-1/2	60	1/16	1-3/4	0	1-11/16	B-1
3 5V 710 TB			3	2517	2-1/2	60	5/8	1-3/4	0	2-3/8	A-1
4 5V 710 TB			4	2517	2-1/2	60	1-5/16	1-3/4	0	3-1/16	A-1
5 5V 710 TB			5	3020	3	75	1/2	2	1-1/4	3-3/4	A-1
6 5V 710 TB			6	3020	3	75	3/4	2	1-11/16	4-7/16	A-1
8 5V 710 TB			8	3030	3	75	1	3	1-13/16	5-13/16	A-1
2 5V 750 TB	7.40	7.50	2	2517	2-1/2	60	1/16	1-3/4	0	1-11/16	B-1

Pulleys for use with "5V" Section Belts

Product Code	Pitch Diameter (PD) (Inches)	Outer Diameter (OD) (Inches)	Number of grooves	Bush Number	Bush Max. Bore		E	L	M	F	Pulley Type
					Imperial (Inches)	Metric (mm)					
3 5V 750 TB	7.40	7.50	3	2517	2-1/2	60	5/8	1-3/4	0	2-3/8	A-1
4 5V 750 TB			4	2517	2-1/2	60	1-5/16	1-3/4	0	3-1/16	A-1
5 5V 750 TB			5	3020	3	75	1/2	2	1-1/4	3-3/4	A-1
6 5V 750 TB			6	3020	3	75	3/4	2	1-11/16	4-7/16	A-1
8 5V 750 TB			8	3030	3	75	1	3	1-13/16	5-13/16	A-1
2 5V 800 TB	7.90	8.00	2	2517	2-1/2	60	1/16	1-11/16	0	1-3/4	B-1
3 5V 800 TB			3	2517	2-1/2	60	5/8	1-3/4	0	2-3/8	A-1
4 5V 800 TB			4	2517	2-1/2	60	1-5/16	1-3/4	0	3-1/16	A-1
5 5V 800 TB			5	3020	3	75	1/2	2	1-1/4	3-3/4	A-1
6 5V 800 TB			6	3020	3	75	3/4	2	1-11/16	4-7/16	A-1
8 5V 800 TB			8	3030	3	75	1	3	1-13/16	5-13/16	A-1
10 5V 800 TB			10	3030	3	75	1	3	3-3/16	7-3/16	A-1
2 5V 850 TB	8.40	8.50	2	2517	2-1/2	60	1/16	1-11/16	0	1-3/4	B-2
3 5V 850 TB			3	2517	2-1/2	60	5/8	1-3/4	0	2-3/8	A-2
4 5V 850 TB			4	2517	2-1/2	60	1-5/16	1-3/4	0	3-1/16	A-2
5 5V 850 TB			5	3020	3	75	1/2	2	1-1/4	3-3/4	A-1
6 5V 850 TB			6	3020	3	75	3/4	2	1-11/16	4-7/16	A-1
8 5V 850 TB			8	3030	3	75	1	3	1-13/16	5-13/16	A-1
10 5V 850 TB			10	3030	3	75	1	3	3-3/16	7-3/16	A-1
2 5V 900 TB			8.90	9.00	2	2517	2-1/2	60	1/16	1-11/16	0
3 5V 900 TB	3	2517			2-1/2	60	5/8	1-3/4	0	2-3/8	A-2
4 5V 900 TB	4	2517			2-1/2	60	1-5/16	1-3/4	0	3-1/16	A-2
5 5V 900 TB	5	3020			3	75	1/2	2	1-1/4	3-3/4	A-1
6 5V 900 TB	6	3020			3	75	3/4	2	1-11/16	4-7/16	A-1
8 5V 900 TB	8	3030			3-1/2	90	1	3-1/2	1-5/16	5-13/16	A-1
10 5V 900 TB	10	3535			3-1/2	90	1	3-1/2	2-11/16	7-3/16	A-1
2 5V 925 TB	9.15	9.25	2	3020	3	75	0	1-11/16	5/16	2	B-2
3 5V 925 TB			3	3020	3	75	0	2	3/8	2-3/8	A-1
4 5V 925 TB			4	3020	3	75	1/2	2	9/16	3-1/16	A-1
5 5V 925 TB			5	3020	3	75	1/2	2	1-1/4	3-3/4	A-1
6 5V 925 TB			6	3535	3-1/2	90	0	3-1/2	15/16	4-7/16	A-1
8 5V 925 TB			8	3535	3-1/2	90	1	3-1/2	1-5/16	5-13/16	A-1
10 5V 925 TB			10	4040	4	100	1	4	2-3/16	7-3/16	A-1
2 5V 975 TB	9.65	9.75	2	3020	3	75	0	1-11/16	5/16	2	B-2
3 5V 975 TB			3	3020	3	75	0	2	3/8	2-3/8	A-1
4 5V 975 TB			4	3020	3	75	1/2	2	9/16	3-1/16	A-1
5 5V 975 TB			5	3020	3	75	1/2	2	1-1/4	3-3/4	A-1
6 5V 975 TB			6	3535	3-1/2	90	0	3-1/2	15/16	4-7/16	A-1
8 5V 975 TB			8	3535	3-1/2	90	1	3-1/2	1-5/16	5-13/16	A-1
10 5V 975 TB			10	4040	4	100	1	4	2-3/16	7-3/16	A-1
2 5V 1030 TB	10.20	10.30	2	3020	3	75	0	1-11/16	5/16	2	B-2
3 5V 1030 TB			3	3020	3	75	0	2	3/8	2-3/8	A-2
4 5V 1030 TB			4	3020	3	75	1/2	2	9/16	3-1/16	A-2
5 5V 1030 TB			5	3020	3	75	1/2	2	1-1/4	3-3/4	A-2
6 5V 1030 TB			6	3535	3-1/2	90	0	3-1/2	15/16	4-7/16	A-1
8 5V 1030 TB			8	3535	3-1/2	90	1	3-1/2	1-5/16	5-13/16	A-1
10 5V 1030 TB			10	4040	4	100	1	4	2-3/16	7-3/16	A-1
2 5V 1090 TB	10.80	10.90	2	3020	3	75	0	1-11/16	5/16	2	B-2
3 5V 1090 TB			3	3020	3	75	0	2	3/8	2-3/8	A-2
4 5V 1090 TB			4	3020	3	75	1/2	2	9/16	3-1/16	A-2

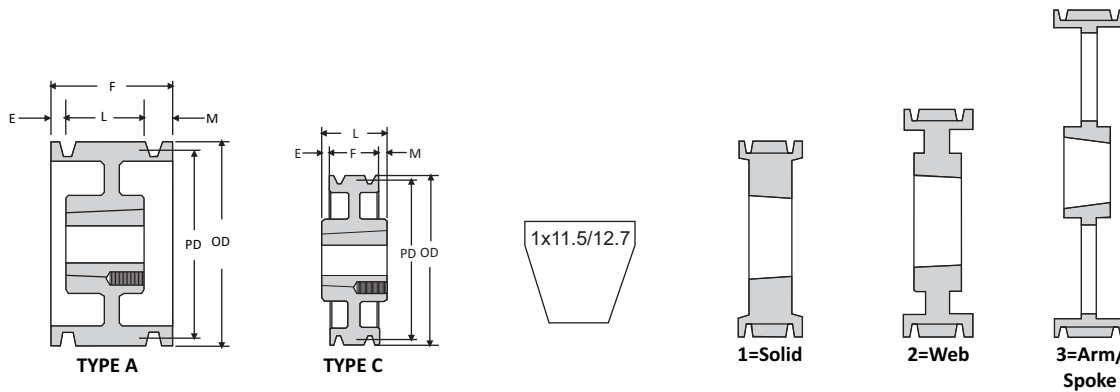
Pulleys for use with "5V" Section Belts

Product Code	Pitch Diameter (PD) (Inches)	Outer Diameter (OD) (Inches)	Number of grooves	Bush Number	Bush Max. Bore		E	L	M	F	Pulley Type
					Imperial (Inches)	Metric (mm)					
5 5V 1090 TB	10.80	10.90	5	3020	3	75	1/2	2	1-1/4	3-3/4	A-2
6 5V 1090 TB			6	3535	3-1/2	90	0	3-1/2	15/16	4-7/16	A-1
8 5V 1090 TB			8	3535	3-1/2	90	1	3-1/2	1-5/16	5-13/16	A-1
10 5V 1090 TB			10	4040	4	100	1	4	2-3/16	7-3/16	A-1
2 5V 1180 TB	11.70	11.80	2	3020	3	75	0	1-11/16	5/16	2	B-2
3 5V 1180 TB			3	3020	3	75	0	2	3/8	2-3/8	A-2
4 5V 1180 TB			4	3020	3	75	1/2	2	9/16	3-1/16	A-2
5 5V 1180 TB			5	3020	3	75	1/2	2	1-1/4	3-3/4	A-2
6 5V 1180 TB			6	3535	3-1/2	90	0	3-1/2	15/16	4-7/16	A-2
8 5V 1180 TB			8	3535	3-1/2	90	1	3-1/2	1-5/16	5-13/16	A-1
10 5V 1180 TB			10	4040	4	100	1	4	2-3/16	7-3/16	A-1
2 5V 1250 TB			12.40	12.50	2	3020	3	75	0	1-11/16	5/16
3 5V 1250 TB	3	3020			3	75	0	2	3/8	2-3/8	A-2
4 5V 1250 TB	4	3020			3	75	0	2	1-1/16	3-1/16	A-2
5 5V 1250 TB	5	3535			3-1/2	90	0	3-1/2	1/4	3-3/4	A-2
6 5V 1250 TB	6	3535			3-1/2	90	0	3-1/2	15/16	4-7/16	A-2
8 5V 1250 TB	8	4040			4	100	1/4	4	1-9/16	5-13/16	A-1
10 5V 1250 TB	10	4040			4	100	3/4	4	2-7/16	7-3/16	A-2
2 5V 1320 TB	13.10	13.20			2	3020	3	75	0	1-11/16	5/16
3 5V 1320 TB			3	3020	3	75	0	2	3/8	2-3/8	A-2
4 5V 1320 TB			4	3020	3	75	0	2	1-1/16	3-1/16	A-3
5 5V 1320 TB			5	3535	3-1/2	90	0	3-1/2	1/4	3-3/4	A-2
6 5V 1320 TB			6	3535	3-1/2	90	0	3-1/2	15/16	4-7/16	A-2
8 5V 1320 TB			8	4040	4	100	1/4	4	1-9/16	5-13/16	A-1
10 5V 1320 TB			10	4040	4	100	3/4	4	2-7/16	7-3/16	A-2
2 5V 1400 TB			13.90	14.00	2	3020	3	75	0	1-11/16	5/16
3 5V 1400 TB	3	3020			3	75	0	2	3/8	2-3/8	A-3
4 5V 1400 TB	4	3535			3-1/2	90	0	3-1/16	7/16	3-1/2	B-3
5 5V 1400 TB	5	3535			3-1/2	90	0	3-1/2	1/4	3-3/4	A-3
6 5V 1400 TB	6	3535			3-1/2	90	0	3-1/2	15/16	4-7/16	A-2
8 5V 1400 TB	8	4040			4	100	1/4	4	1-9/16	5-13/16	A-2
10 5V 1400 TB	10	4545			4-1/2	110	3/4	4-1/2	1-15/16	7-3/16	A-2
2 5V 1500 TB	14.90	15.00			2	3020	3	75	0	1-11/16	5/16
3 5V 1500 TB			3	3020	3	75	0	2	3/8	2-3/8	A-3
4 5V 1500 TB			4	3535	3-1/2	90	0	3-1/16	7/16	3-1/2	B-3
5 5V 1500 TB			5	3535	3-1/2	90	0	3-1/2	1/4	3-3/4	A-3
6 5V 1500 TB			6	4040	4	100	0	4	7/16	4-7/16	A-2
8 5V 1500 TB			8	4040	4	100	1/4	4	1-9/16	5-13/16	A-2
10 5V 1500 TB			10	4545	4-1/2	110	3/4	4-1/2	1-15/16	7-3/16	A-2
2 5V 1600 TB			15.90	16.00	2	3020	3	75	0	1-11/16	5/16
3 5V 1600 TB	3	3020			3	75	0	2	3/8	2-3/8	A-3
4 5V 1600 TB	4	3535			3-1/2	90	0	3-1/16	7/16	3-1/2	B-3
5 5V 1600 TB	5	3535			3-1/2	90	0	3-1/2	1/4	3-3/4	A-3
6 5V 1600 TB	6	4040			4	100	0	4	7/16	4-7/16	A-3
8 5V 1600 TB	8	4040			4	100	1/4	4	1-9/16	5-13/16	A-3
10 5V 1600 TB	10	4545			4-1/2	110	3/4	4-1/2	1-15/16	7-3/16	A-2
2 5V 1870 TB	18.60	18.70			2	3020	3	75	0	2	5/16
3 5V 1870 TB			3	3020	3	75	0	2	3/8	2-3/8	A-3
4 5V 1870 TB			4	3535	3-1/2	90	0	3-1/16	7/16	3-1/2	B-3
5 5V 1870 TB			5	3535	3-1/2	90	0	3-1/2	1/4	3-3/4	A-3

Pulleys for use with "5V" Section Belts

Product Code	Pitch Diameter (PD) (Inches)	Outer Diameter (OD) (Inches)	Number of grooves	Bush Number	Bush Max. Bore		E	L	M	F	Pulley Type
					Imperial (Inches)	Metric (mm)					
6 5V 1870 TB	18.60	18.70	6	4040	4	100	0	4	7/16	4-7/16	A-3
8 5V 1870 TB			8	4040	4	100	1/4	4	1-9/16	5-13/16	A-3
10 5V 1870 TB			10	4545	4-1/2	110	3/4	4-1/2	1-15/16	7-3/16	A-2
2 5V 2120 TB	21.10	21.20	2	3535	3-1/2	90	3/8	3-1/2	1-7/16	1-11/16	C-3
3 5V 2120 TB			3	3535	3-1/2	90	0	2-3/8	1-1/8	3-1/2	B-3
4 5V 2120 TB			4	3535	3-1/2	90	0	3-1/16	7/16	3-1/2	B-3
5 5V 2120 TB			5	4040	4	100	0	3-3/4	1/4	4	B-3
6 5V 2120 TB			6	4040	4	100	0	4	7/16	4-7/16	A-3
8 5V 2120 TB			8	4040	4	100	1/4	4	1-9/16	5-13/16	A-3
10 5V 2120 TB			10	4545	4-1/2	110	3/4	4-1/2	1-15/16	7-3/16	A-3
2 5V 2360 TB	23.50	23.60	2	3535	3-1/2	90	1/4	3-1/2	1-9/16	1-11/16	C-3
3 5V 2360 TB			3	3535	3-1/2	90	0	2-3/8	1-1/8	3-1/2	B-3
4 5V 2360 TB			4	3535	3-1/2	90	0	3-1/16	7/16	3-1/2	B-3
5 5V 2360 TB			5	4040	4	100	0	3-3/4	1/4	4	B-3
6 5V 2360 TB			6	4040	4	100	0	4	7/16	4-7/16	A-3
8 5V 2360 TB			8	4040	4	100	1/4	4	1-9/16	5-13/16	A-3
10 5V 2360 TB			10	4545	4-1/2	110	3/4	4-1/2	1-15/16	7-3/16	A-3
2 5V 2800 TB	27.90	28.00	2	3535	3-1/2	90	3/8	3-1/2	1-7/16	1-11/16	C-3
3 5V 2800 TB			3	3535	3-1/2	90	0	2-3/8	1-1/8	3-1/2	B-3
4 5V 2800 TB			4	3535	3-1/2	90	0	3-1/16	7/16	3-1/2	B-3
5 5V 2800 TB			5	4040	4	100	0	3-3/4	1/4	4	B-3
6 5V 2800 TB			6	4040	4	100	0	4	7/16	4-7/16	A-3
8 5V 2800 TB			8	4545	4-1/2	110	1/4	4-1/2	1-1/16	5-13/16	A-3
10 5V 2800 TB			10	4545	4-1/2	110	3/4	4-1/2	1-15/16	7-3/16	A-3
3 5V 3150 TB	31.40	31.50	3	3535	3-1/2	-	11/32	3-1/2	25/32	2-3/8	C-3
4 5V 3150 TB			4	3535	3-1/2	90	0	3-1/16	7/16	3-1/2	B-3
5 5V 3150 TB			5	4040	4	100	0	3-3/4	1/4	4	B-3
6 5V 3150 TB			6	4040	4	100	0	4	7/16	4-7/16	A-3
8 5V 3150 TB			8	4545	4-1/2	110	1/4	4-1/2	1-1/16	5-13/16	A-3
10 5V 3150 TB			10	4545	4-1/2	110	3/4	4-1/2	1-15/16	7-3/16	A-3
3 5V 3750 TB			37.40	37.50	3	4040	4	100	1/2	4	1-1/8
4 5V 3750 TB	4	4040			4	100	0	3-1/16	15/16	4	B-3
5 5V 3750 TB	5	4040			4	100	0	3-3/4	1/4	4	B-3
6 5V 3750 TB	6	4545			4-1/2	110	0	4-7/16	1/16	4-1/2	B-3
8 5V 3750 TB	8	4545			4-1/2	110	1/4	4-1/2	1-1/16	5-13/16	A-3
10 5V 3750 TB	10	4545			4-1/2	110	3/4	4-1/2	1-15/16	7-3/16	A-3
3 5V 5000 TB	49.90	50.00	3	4040	4	100	1/2	4	1-1/8	2-3/8	C-3
4 5V 5000 TB			4	4040	4	100	0	3-1/16	15/16	4	B-3
5 5V 5000 TB			5	4545	4-1/2	110	0	3-3/4	3/4	4-1/2	B-3
6 5V 5000 TB			6	4545	4-1/2	110	0	4-7/16	1/16	4-1/2	B-3
8 5V 5000 TB			8	4545	4-1/2	110	1/4	4-1/2	1-1/16	5-13/16	A-3
10 5V 5000 TB			10	5050	5	125	3/4	5	1-7/16	7-3/16	A-3

Pulleys for use with "8V" section Belts



Product Code	Pitch Diameter (PD) (Inches)	Outer Diameter (OD) (Inches)	Number of grooves	Bush Number	Bush Max. Bore		E	L	M	F	Pulley Type
					Imperial (Inches)	Metric (mm)					
4 8V 1250 TB	12.30	12.50	4	4040	4	100	0	4	7/8	4-7/8	A-1
5 8V 1250 TB			5	4040	4	100	3/16	4	1-13/16	6	A-1
6 8V 1250 TB			6	4040	4	100	1	4	2-1/8	7-1/8	A-1
8 8V 1250 TB			8	4545	4-1/2	110	1-1/2	4-1/2	3-3/8	9-3/8	A-1
12 8V 1250 TB			12	5050	5	125	3-3/16	5	5-11/16	13-7/8	A-1
4 8V 1320 TB	13.00	13.20	4	4040	4	100	0	4	7/8	4-7/8	A-1
5 8V 1320 TB			5	4040	4	100	3/16	4	1-13/16	6	A-1
6 8V 1320 TB			6	4040	4	100	1	4	2-1/8	7-1/8	A-1
8 8V 1320 TB			8	4545	4-1/2	110	1-1/2	4-1/2	3-3/8	9-3/8	A-1
10 8V 1320 TB			10	4545	4-1/2	110	1	4-1/2	6-1/8	11-5/8	A-1
12 8V 1320 TB	12	5050	5	125	3	5	5-7/8	13-7/8	A-1		
4 8V 1400 TB	13.80	14.00	4	4040	4	100	0	4	7/8	4-7/8	A-1
5 8V 1400 TB			5	4040	4	100	3/16	4	1-13/16	6	A-1
6 8V 1400 TB			6	4040	4	100	1	4	2-1/8	7-1/8	A-1
8 8V 1400 TB			8	4545	4-1/2	110	1-1/2	4-1/2	3-3/8	9-3/8	A-1
10 8V 1400 TB			10	4545	4-1/2	110	1	4-1/2	6-1/8	11-5/8	A-1
12 8V 1400 TB	12	5050	5	125	3-3/16	5	5-11/16	13-7/8	A-1		
4 8V 1500 TB	14.80	15.00	4	4040	4	100	0	4	7/8	4-7/8	A-1
5 8V 1500 TB			5	4040	4	100	3/16	4	1-13/16	6	A-1
6 8V 1500 TB			6	4545	4-1/2	110	1/2	4-1/2	2-1/8	7-1/8	A-1
8 8V 1500 TB			8	4545	4-1/2	110	1-1/2	4-1/2	3-3/8	9-3/8	A-1
10 8V 1500 TB			10	5050	5	125	1	5	5-5/8	11-5/8	A-1
12 8V 1500 TB	12	5050	5	125	1-7/8	5	7	13-7/8	A-1		
4 8V 1600 TB	15.80	16.00	4	4040	4	100	0	4	7/8	4-7/8	A-1
5 8V 1600 TB			5	4040	4	100	1/2	4	1-1/2	6	A-1
6 8V 1600 TB			6	4545	4-1/2	110	1/2	4-1/2	3-3/8	7-1/8	A-2
8 8V 1600 TB			8	4545	4-1/2	110	1-1/2	4-1/2	3-3/8	9-3/8	A-2
10 8V 1600 TB			10	5050	5	125	1	5	5-5/8	11-5/8	A-1
12 8V 1600 TB	12	5050	5	125	1-7/8	5	7	13-7/8	A-1		
4 8V 1700 TB	16.80	17.00	4	4040	4	100	0	4	7/8	4-7/8	A-2
5 8V 1700 TB			5	4545	4-1/2	100	0	4-1/2	1-1/2	6	A-2
6 8V 1700 TB			6	4545	4-1/2	110	1/2	4-1/2	2-1/8	7-1/8	A-2
8 8V 1700 TB			8	5050	5	125	1	5	3-3/8	9-3/8	A-2
10 8V 1700 TB			10	5050	5	125	2-1/4	5	4-3/8	11-5/8	A-2
12 8V 1700 TB	12	5050	5	125	3-1/2	5	5-3/8	13-7/8	A-2		
4 8V 1800 TB	17.80	18.00	4	4040	4	100	0	4	7/8	4-7/8	A-2
5 8V 1800 TB			5	4545	4-1/2	100	0	4-1/2	1-1/2	6	A-2

Pulleys for use with "8V" Section Belts

Product Code	Pitch Diameter (PD) (Inches)	Outer Diameter (OD) (Inches)	Number of grooves	Bush Number	Bush Max. Bore		E	L	M	F	Pulley Type
					Imperial (Inches)	Metric (mm)					
6 8V 1800 TB	17.80	18.00	6	4545	4-1/2	110	1/2	4-1/2	2-1/8	7-1/8	A-2
8 8V 1800 TB			8	5050	5	125	1	5	3-3/8	9-3/8	A-2
10 8V 1800 TB			10	5050	5	125	2-1/4	5	4-3/8	11-5/8	A-2
12 8V 1800 TB			12	5050	5	125	3-17/32	5	5-11/32	13-7/8	A-2
4 8V 1900 TB	18.80	19.00	4	4040	4	100	0	4	7/8	4-7/8	A-2
5 8V 1900 TB			5	4545	4-1/2	100	0	4-1/2	1-1/2	6	A-2
6 8V 1900 TB			6	4545	4-1/2	110	1/2	4-1/2	2-1/8	7-1/8	A-2
8 8V 1900 TB			8	5050	5	125	1	5	3-3/8	9-3/8	A-2
10 8V 1900 TB			10	5050	5	125	2-1/4	5	4-3/8	11-5/8	A-2
12 8V 1900 TB			12	5050	5	125	2-1/4	5	6-5/8	13-7/8	A-2
4 8V 2000 TB	19.80	20.00	4	4545	4-1/2	100	0	4-1/2	3/8	4-7/8	A-2
5 8V 2000 TB			5	4545	4-1/2	100	0	4-1/2	1-1/2	6	A-2
6 8V 2000 TB			6	5050	5	125	1/2	5	1-5/8	7-1/8	A-2
8 8V 2000 TB			8	5050	5	125	1	5	3-3/8	9-3/8	A-2
10 8V 2000 TB			10	5050	5	125	2-1/4	5	4-3/8	11-5/8	A-2
12 8V 2000 TB			12	5050	5	125	2-1/4	5	6-5/8	13-7/8	A-2
4 8V 2120 TB	21.00	21.20	4	4545	4-1/2	100	0	4-1/2	3/8	4-7/8	A-3
5 8V 2120 TB			5	4545	4-1/2	100	0	4-1/2	1-1/2	6	A-3
6 8V 2120 TB			6	5050	5	125	1/2	5	1-5/8	7-1/8	A-3
8 8V 2120 TB			8	5050	5	125	1	5	3-3/8	9-3/8	A-3
10 8V 2120 TB			10	5050	5	125	2-1/4	5	4-3/8	11-5/8	A-2
12 8V 2120 TB			12	5050	5	125	2-1/4	5	6-5/8	13-7/8	A-2
4 8V 2240 TB	22.20	22.40	4	4545	4-1/2	100	0	4-1/2	3/8	4-7/8	A-3
5 8V 2240 TB			5	4545	4-1/2	100	0	4-1/2	1-1/2	6	A-3
6 8V 2240 TB			6	5050	5	125	1/2	5	1-5/8	7-1/8	A-3
8 8V 2240 TB			8	5050	5	125	1	5	3-3/8	9-3/8	A-3
10 8V 2240 TB			10	5050	5	125	2-1/4	5	4-3/8	11-5/8	A-3
12 8V 2240 TB			12	5050	5	125	2-1/4	5	6-5/8	13-7/8	A-3
4 8V 2480 TB	24.60	24.80	4	5050	5	125	0	5	1/8	4-7/8	C-3
5 8V 2480 TB			5	5050	5	125	0	5	1	6	A-3
6 8V 2480 TB			6	5050	5	125	1/2	5	1-5/8	7-1/8	A-3
8 8V 2480 TB			8	5050	5	125	1	5	3-3/8	9-3/8	A-3
10 8V 2480 TB			10	5050	5	125	2-1/4	5	4-3/8	11-5/8	A-3
12 8V 2480 TB			12	5050	5	125	5-3/8	5	3-1/2	13-7/8	A-3
4 8V 3000 TB	29.80	30.00	4	5050	5	125	0	5	1/8	4-7/8	C-3
5 8V 3000 TB			5	5050	5	125	0	5	1	6	A-3
6 8V 3000 TB			6	5050	5	125	1/2	5	1-5/8	7-1/8	A-3
8 8V 3000 TB			8	5050	5	125	1	5	3-3/8	9-3/8	A-3
10 8V 3000 TB			10	5050	5	125	2-1/4	5	4-3/8	11-5/8	A-3
12 8V 3000 TB			12	6050	6	150	4	5	4-7/8	13-7/8	A-3
4 8V 3550 TB	35.30	35.50	4	5050	5	125	0	5	1/8	4-7/8	C-3
5 8V 3550 TB			5	5050	5	125	0	5	1	6	A-3
6 8V 3550 TB			6	5050	5	125	1/2	5	1-5/8	7-1/8	A-3
8 8V 3550 TB			8	5050	5	125	1	5	3-3/8	9-3/8	A-3
10 8V 3550 TB			10	6050	6	150	2-1/4	5	4-3/8	11-5/8	A-3
12 8V 3550 TB			12	6050	6	150	4	5	4-7/8	13-7/8	A-3
4 8V 4000 TB	39.80	40.00	4	5050	5	125	0	5	1/8	4-7/8	C-3
5 8V 4000 TB			5	5050	5	125	0	5	1	6	A-3
6 8V 4000 TB			6	5050	5	125	1/2	5	1-5/8	7-1/8	A-3

Pulleys for use with "8V" Section Belts

Product Code	Pitch Diameter (PD) (Inches)	Outer Diameter (OD) (Inches)	Number of grooves	Bush Number	Bush Max. Bore		E	L	M	F	Pulley Type
					Imperial (Inches)	Metric (mm)					
8 8V 4000 TB	39.80	40.00	8	5050	5	125	1	5	3-3/8	9-3/8	A-3
10 8V 4000 TB			10	6050	6	150	2-1/4	5	4-3/8	11-5/8	A-3
12 8V 4000 TB			12	6050	6	150	4	5	4-7/8	13-7/8	A-3
4 8V 4450 TB	44.30	44.50	4	5050	5	125	0	5	1/8	4-7/8	C-3
5 8V 4450 TB			5	5050	5	125	0	5	1	6	A-3
6 8V 4450 TB			6	5050	5	125	1/2	5	1-5/8	7-1/8	A-3
8 8V 4450 TB			8	6050	5	125	1	5	3-3/8	9-3/8	A-3
10 8V 4450 TB			10	6050	6	150	2-1/4	5	4-3/8	11-5/8	A-3
12 8V 4450 TB			12	6050	6	150	4	5	4-7/8	13-7/8	A-3
4 8V 5300 TB			52.80	53.00	4	5050	5	125	0	5	1/8
5 8V 5300 TB	5	5050			5	125	0	5	1	6	A-3
6 8V 5300 TB	6	5050			5	125	1/2	5	1-5/8	7-1/8	A-3
8 8V 5300 TB	8	6050			6	150	1	5	3-3/8	9-3/8	A-3
10 8V 5300 TB	10	6050			6	150	2-1/4	5	4-3/8	11-5/8	A-3
12 8V 5300 TB	12	7060			6	150	5	6	2-7/8	13-7/8	A-3

- Unlisted sizes are available on request.
- Please refer PIX recommended minimum pulley diameter from the chart given on Page no. 2.

V-belt Pulleys with Pilot Bore



Pilot bore pulleys are generally required in case of non standard shaft diameters. Pilot bore pulleys require back-reaming or enlarging bore diameter to suit to the shaft diameter.

PIX-PowerWare® Pilot bore pulleys are available in standard sections of V-belt, Poly V-belt & Timing belts. They can also be supplied as per customer's specific requirements. They are made of superior material with consistent quality and surface finish. Adequate surface treatment is done to avoid rusting and corrosion to improve the appearance & wear resistance.

Poly-V & Timing Pulleys



Note

An extensive range of Poly-V and Timing Pulleys in Taper Bush and Pilot Bore is available on request.

Taper Bush Dimensions

Taper Bush Number	Taper Bush Code	Nominal Dia at the Larger End of Taper (mm)	Face Width (mm)	Minimum Bore (mm)	Maximum Bore (mm)
1008	TLB1008009 to TLB1008025	35.0	22	9	25
1108	TLB1108009 to TLB1108028	38.0	22	9	28
1210	TLB1210011 to TLB1210032	47.5	25	11	32
1215	TLB1215011 to TLB1215032	47.5	38	11	32
1310	TLB1310014 to TLB1310035	51.0	25	14	35
1610	TLB1610014 to TLB1610042	57.0	25	14	42
1615	TLB1615014 to TLB1615042	57.0	38	14	42
2012	TLB2012014 to TLB2012050	70.0	32	14	50
2517	TLB2517016 to TLB2517060	85.5	45	16	60
2525	TLB2525019 to TLB2525060	85.5	65	19	60
3020	TLB3020025 to TLB3020075	108.0	51	25	75
3030	TLB3030035 to TLB3030075	108.0	76	35	75
3525	TLB3525048 to TLB3525090	127.0	65	48	90
3535	TLB3535035 to TLB3535090	127.0	89	35	90
4040	TLB4040040 to TLB4040100	146.0	102	40	100
4545	TLB4545055 to TLB4545110	162.0	114	55	110
5050	TLB5050070 to TLB5050125	177.5	127	70	125

Metric Bores, Keyway, Keys & Screws

Bush No.	Nominal Diameter at Larger End	Taper Bush Code	Bore Diameter (mm)	Keyway (mm)		Key (mm)		Screw Tightening Torque(Nm)	Screw Details	
				Width (w)	Depth (h)	Width (w)	Depth (h)		Qty.	Size
1008	35	TLB1008009 to TLB1008025	9 - 10	3	1.4	3	3	56	2	1/4"
			11 - 12	4	1.8	4	4			
			13 - 17	5	2.3	5	5			
			18 - 22	6	2.8	6	6			
			23 - 25	8	3.3	8	7			
1108	38	TLB1108009 to TLB1108028	9 - 10	3	1.4	3	3	56	2	1/4"
			11 - 12	4	1.8	4	4			
			13 - 17	5	2.3	5	5			
			18 - 22	6	2.8	6	6			
			23 - 28	8	3.3	8	7			
1210	47.5	TLB1210011 to TLB1210032	11 - 12	4	1.8	4	4	20	2	3/8"
			13 - 17	5	2.3	5	5			
			18 - 22	6	2.8	6	6			
			23 - 30	8	3.3	8	7			
			31 - 32	10	3.3	10	8			
1215	47.5	TLB1215011 to TLB1215032	11 - 12	4	1.8	4	4	20	2	3/8"
			13 - 17	5	2.3	5	5			
			18 - 22	6	2.8	6	6			
			23 - 30	8	3.3	8	7			
			31 - 32	10	3.3	10	8			
1310	51	TLB1310014 to TLB1310035	14 - 17	5	2.3	5	5	20	2	3/8"
			18 - 22	6	2.8	6	6			
			23 - 30	8	3.3	8	7			
			31 - 35	10	3.3	10	8			
1610	57	TLB1610014 to TLB1610042	14 - 17	5	2.3	5	5	20	2	3/8"
			18 - 22	6	2.8	6	6			
			23 - 30	8	3.3	8	7			
			31 - 38	10	3.3	10	8			
			39 - 42	12	3.3	12	8			
1615	57	TLB1615014 to TLB1615042	14 - 17	5	2.3	5	5	20	2	3/8"
			18 - 22	6	2.8	6	6			
			23 - 30	8	3.3	8	7			
			31 - 38	10	3.3	10	8			
			39 - 42	12	3.3	12	8			
2012	70	TLB2012014 to TLB2012050	14 - 17	5	2.3	5	5	31	2	7/16"
			18 - 22	6	2.8	6	6			
			23 - 30	8	3.3	8	7			
			31 - 38	10	3.3	10	8			
			39 - 44	12	3.3	12	8			
2517	85.5	TLB2517016 to TLB2517060	45 - 50	14	3.8	14	9	48	2	1/2"
			16 - 17	5	2.3	5	5			
			18 - 22	6	2.8	6	6			
			23 - 30	8	3.3	8	7			
			31 - 38	10	3.3	10	8			
			39 - 44	12	3.3	12	8			
			51 - 58	16	4.3	16	10			
59 - 60	18	4.4	18	11						
2525	85.5	TLB2525019 to TLB2525060	19 - 22	6	2.8	6	6	48	2	1/2"
			23 - 30	8	3.3	8	7			
			31 - 38	10	3.3	10	8			
			39 - 44	12	3.3	12	8			
			45 - 50	14	3.8	14	9			
			51 - 58	16	4.3	16	10			
			59 - 60	18	4.4	18	11			

Metric bores, keyway, keys & screws

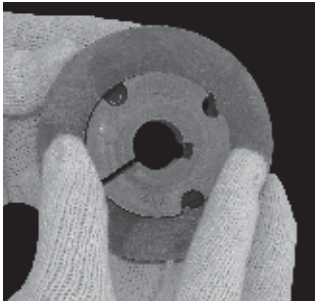
Bush No.	Nominal Diameter at Larger End	Taper Bush Code	Bore Diameter (mm)	Keyway (mm)		Key (mm)		Screw Tightening Torque(Nm)	Screw Details	
				Width (w)	Depth (h)	Width (w)	Depth (h)		Qty.	Size
3020	108	TLB3020025 to TLB3020075	25 - 30	8	3.3	8	7	90	2	5/8"
			31 - 38	10	3.3	10	8			
			39 - 44	12	3.3	12	8			
			45 - 50	14	3.8	14	9			
			51 - 58	16	4.3	16	10			
			59 - 65	18	4.4	18	11			
66 - 75	20	4.9	20	12						
3030	108	TLB3030035 to TLB3030075	35 - 38	10	3.3	10	8	90	2	5/8"
			39 - 44	12	3.3	12	8			
			45 - 50	14	3.8	14	9			
			51 - 58	16	4.3	16	10			
			59 - 65	18	4.4	18	11			
			66 - 75	20	4.9	20	12			
3525	127	TLB3525048 to TLB3525090	48 - 50	14	3.8	14	9	113	3	1/2"
			51 - 58	16	4.3	16	10			
			59 - 65	18	4.4	18	11			
			66 - 75	20	4.9	20	12			
			76 - 86	22	5.4	22	14			
			86 - 90	25	5.4	25	14			
3535	127	TLB3535035 to TLB3535090	35 - 38	10	3.3	10	8	113	3	1/2"
			39 - 44	12	3.3	12	8			
			45 - 50	14	3.8	14	9			
			51 - 58	16	4.3	16	10			
			59 - 65	18	4.4	18	11			
			66 - 75	20	4.9	20	12			
			76 - 86	22	5.4	22	14			
			86 - 90	25	5.4	25	14			
4040	146	TLB4040040 to TLB4040100	40 - 44	12	3.3	12	8	170	3	5/8"
			45 - 50	14	3.8	14	9			
			51 - 58	16	4.3	16	10			
			59 - 65	18	4.4	18	11			
			66 - 75	20	4.9	20	12			
			76 - 86	22	5.4	22	14			
			86 - 96	25	5.4	25	14			
			96 - 100	28	6.4	28	16			
4545	162	TLB4545055 to TLB4545110	55 - 58	16	4.3	16	10	192	3	3/4"
			59 - 65	18	4.4	18	11			
			66 - 75	20	4.9	20	12			
			76 - 86	22	5.4	22	14			
			86 - 96	25	5.4	25	14			
			96 - 110	28	6.4	28	16			
5050	177.5	TLB5050070 to TLB5050125	70 - 75	20	4.9	20	12	271	3	7/8"
			76 - 86	22	5.4	22	14			
			86 - 96	25	5.4	25	14			
			96 - 110	28	6.4	28	16			
			111 - 125	32	7.4	32	18			

Keyways are British standard metric B.S. 4235: Part 1:1972 and conform to I.S.O recommendations. Where a key is to be used it should be parallel and side fitting with top clearance. Depth of key-way is measured at the center.

Note: Taper Bush with Imperial bores can also be supplied.

Installation procedure for taper bush Pulleys

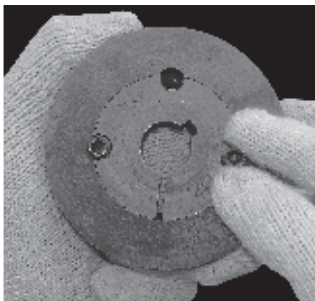
To Install: Clean the shaft, remove oil stains, lacquer and visible dirt. Wipe it dry with a clean rag. Look for any burrs on the shaft, or any deformity in the key-way before proceeding. Do not use oil or grease to lubricate the shaft. Follow steps 1 to 4 as shown in below pictures.



Step 1:
First insert the bush in the pulley



Step 2:
Match the holes of pulleys with those of the bush

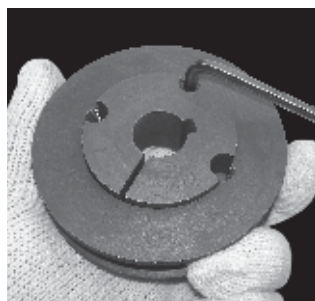


Step 3:
Insert the set-screws manually, tighten them with fingers till possible



Step 4:
Tighten them further using allen-key. Tighten the screws alternately

To remove: Carefully remove all the set-screws and insert the screw in the ejecting hole as shown in below picture



Step 5:
Tighten the screw in the ejecting hole to release the bush

Service equipment

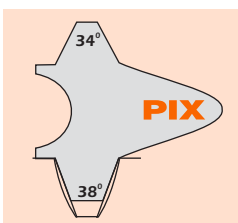
PIX Pulley Gauges



PIX Pulley Gauges are especially designed for checking the profiles of the grooves in a pulley. They can be used in checking the grooves of both the conventional and dual section pulleys.

Procedure to check the grooves in a pulley

1. Identify the pulley gauge to be used according to the section and its diameter
2. Measure the groove by inserting the gauge. Identify if any clearance lies between the side walls of the groove and the gauge
3. Measure the clearance using a Feeler Gauge



PIX-X'Align® Laser Alignment Instrument

PIX-X'Align® Laser-guided pulley alignment instrument is a robust and highly effective maintenance tool, used to correct the misalignment of pulleys in a drive, to help the user to obtain the maximum service life of the Belt.

Why Laser Alignment Tool?

Precise alignment of drives is an indispensable requisite for augmenting the performance and life of Belt drives.

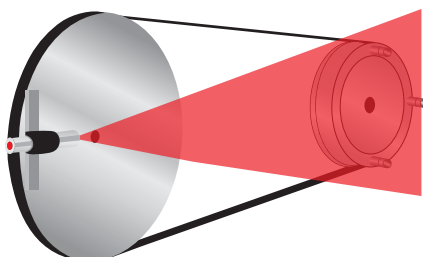
Misaligned pulleys is a common problem in Belt driven machines. Pulleys that are not properly aligned cause increase in noise, vibration levels, uneven tensioning of the Belts. This can further result in Belt slipping, premature Belt failure, wearing-out the pulleys, expensive downtime of machine, short equipment life, and inefficient operation of the drive. Hence a well aligned drive system is the solution to avoid such problems in obtaining optimum Belt performance.

Traditional, low-tech methods on today's precision machinery involves plenty of trials and error, naked eye observation, approximation and estimation. Hence, major disadvantages of traditional Belt and Pulley alignment include both inaccuracy and wasted effort. All produce a wide margin for error, which is unacceptable for precision pulley alignment. However, in today's aggressive global market, it is genuinely not affordable to gamble the productivity, profitability, and reputation on the naked eye observations.

The Laser alignment is the industry standard method for accurately realigning Belts, pulleys, sheaves, sprocket drives, and other wear components. PIX Laser alignment instrument presents usability, accuracy and durability on the job that is unparalleled by any other laser pulley alignment tools.

Features & Benefits:

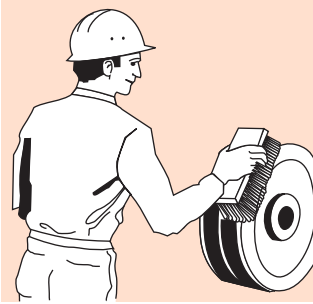
- Proven in harsh environments
- Extremely robust - nickel plated brass
- Measurement span up to 8m
- Ensuring precise alignment for all drives
- Easy to use without any special training
- Small compact and handy
- Enhanced predictive maintenance



Technical specifications:

Measurement	Distance up to 8m
Focus	2.0m
Optic	Line, gaussian light distribution, 90° fan angle
Output power	5mW
Laser class	1M (EN 60825-1:2007)
Wavelength	635nm
Laser color	Red
Accuracy	< 0.5mm/m
Parallelism	< 0.5mrad to the magnetic surface
Angle measurement	Better than 0.2°
Temperature range	-20°C to +40°C
Housing	Nickel plated brass laser transmitter Ø 20 x 120mm
Weight	With magnetic holder 250g
Securing	Magnetic; When non-magnetic: drives secure with double-sided adhesive tape
Supply voltage	battery, one 1.5V AA
Certified	CE approved, FDA approved

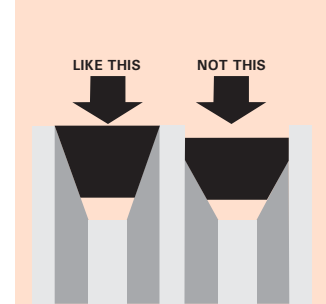
Pulley maintenance tips



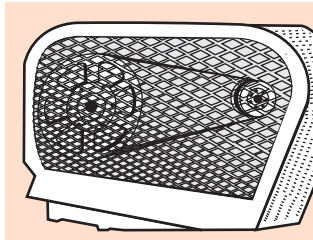
Follow a schedule of cleaning the pulley grooves on regular basis.



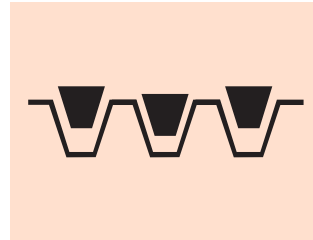
Presence of foreign material may lead to a permanent damage to the pulley.



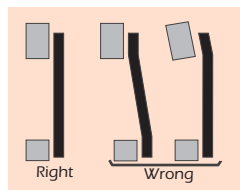
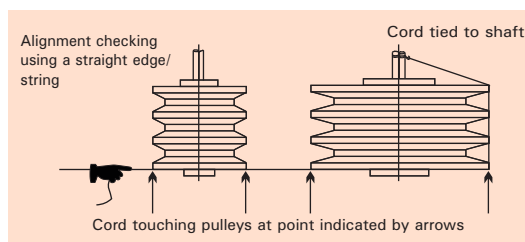
Inspect pulley grooves. Worn out grooves provide allowance for the belts to slip, leading to a premature failure of the belts. Replace the pulley if grooves are worn-out.



Drive guard is a must to ensure safety and cleanliness. Screened meshed or grilled guards are the best for heat dissipation. Select a proper mesh size which will prevent the entry of human finger or any other object.



Change in ride out/in indicates worn-out of the pulleys.



Check alignment. Proper alignment is a must for longer belt and pulley life. For satisfactory service, pulley misalignment should not exceed 1/3rd of the degree of the span.



Packaging for PIX-PowerWare Pulleys and Bush



PIX Group of Companies
Nagpur & Mumbai, India | Ipswich, UK
Paderborn, Germany | Dubai, UAE